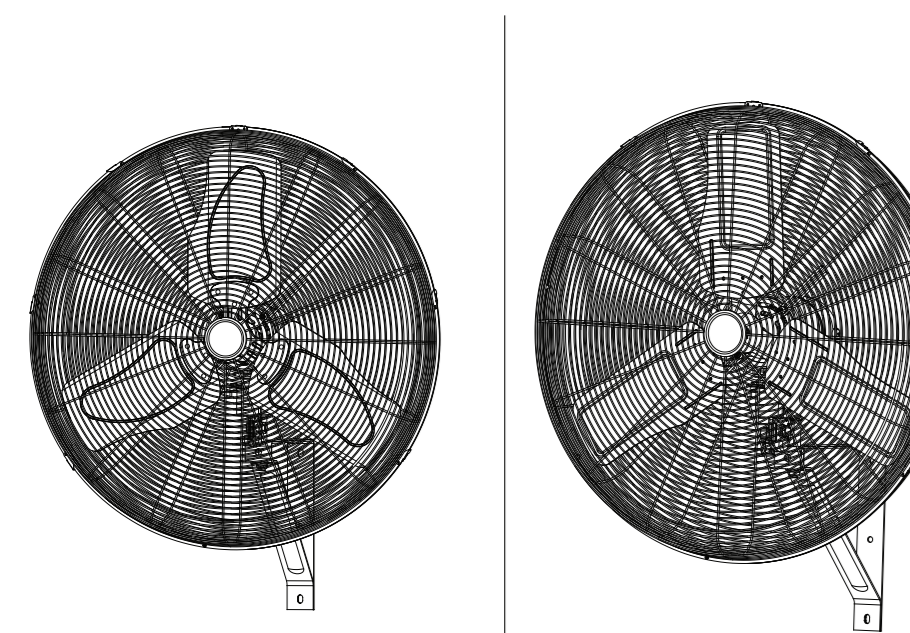


NORTHSKY

24" & 30" OSCILLATING WALL FAN

SFWI-600SW (H1-1011A)
SFWI-750SW (H1-1012A)



READ & SAVE THESE INSTRUCTIONS

SAFETY INFORMATION

WARNING

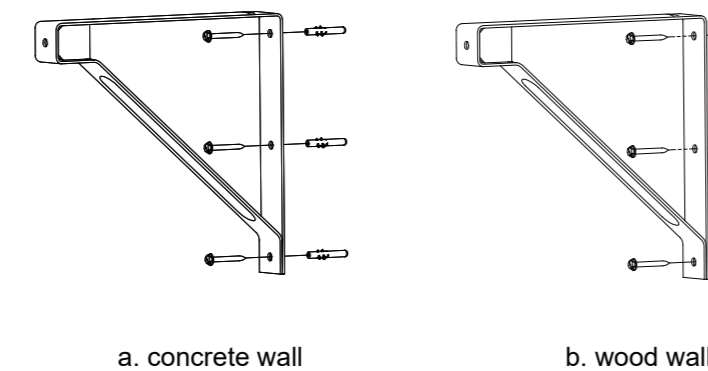
1. Read and save these instructions. Do not operate fan unless you have read these instructions.
2. Unplug the fan before moving it or performing maintenance. Do not touch the fan when your hands are wet.
3. Those who are not qualified electricians should not disassemble, repair or rebuild the fan.
4. Unplug the fan when it is not in use.
5. DO NOT unplug the fan by pulling the cable cord. Unplug by holding the plug and pulling.
6. DO NOT use the fan when there is damage to the cable cord or plug. If the supply cord is damaged, it has to be replaced by the manufacturer, its service agent or similarly qualified persons.
7. DO NOT use the fan with extension cord.
8. DO NOT use the fan close to fires.
9. DO NOT insert your hand or other objects into the grille or the movable parts.
10. To reduce the risk of fire or electric shock, do not use this fan with any solid-state speed control device.
11. To Reduce The Risk Of Fire, Electric Shock Or Injury To Persons, Do Not Use Replacement Parts That Have Not Been Recommended By The Manufacturer (e.g. Parts Made At Home Using A 3D Printer).

CAUTION

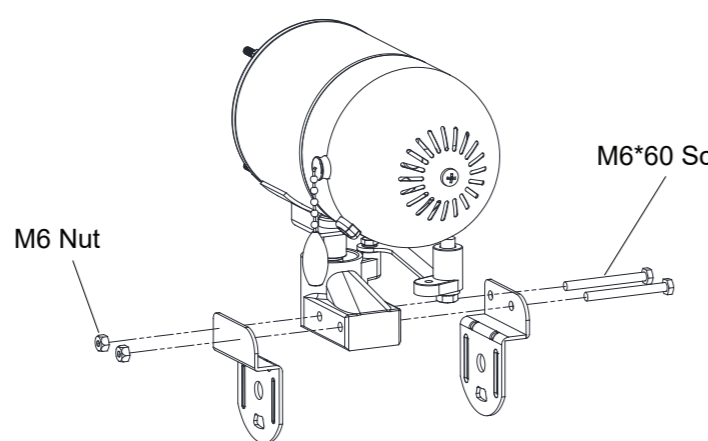
1. Unplug the fan from the socket and clean it with a soft cloth.
2. Do not immerse the fan.
3. Fit the guard onto fan before starting up the fan.
4. This fan is not intended for use by people (including children) with reduced physical, sensory or mental capabilities or lack of experience and knowledge unless they have been given supervision or instruction concerning use of the fan by a person responsible for their safety. Supervise children to ensure they do not play with the fan.

ASSEMBLY INSTRUCTION

1. Mark the hole locations by using the bracket, and then drill the holes.
2. For concrete wall installation, after drilling, insert the wall anchors and tap them flush with the wall, position the bracket and then screw the two bolts into the anchors, securely attaching the wall.
3. For wood wall installation, after drilling the smaller diameter pilot hole, position the bracket and screw the two bolts into the wall until they are secured.
CAUTION: The fan is only suitable for wood or concrete wall mounting.

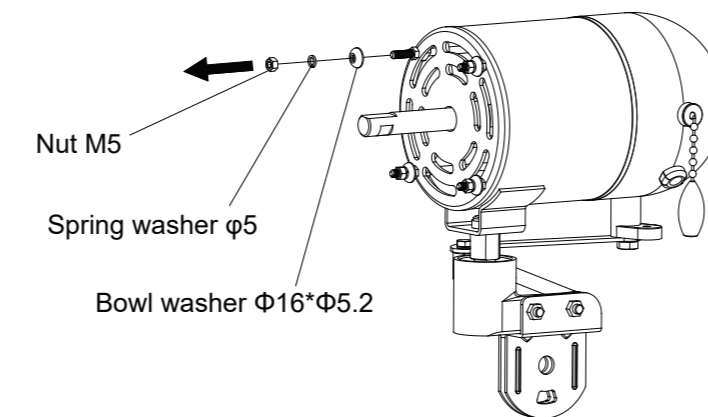


4. Use M6*60 screws and M6 nuts to fasten the left and right connecting plates to the motor.

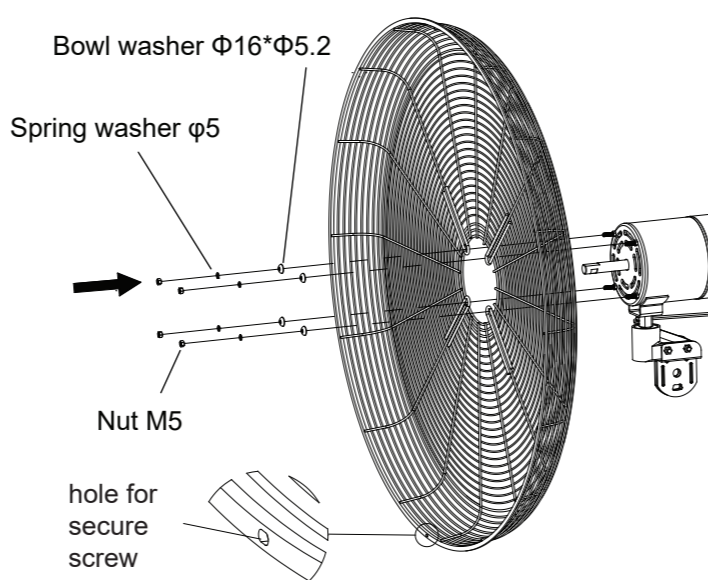


ASSEMBLY INSTRUCTION

5. Remove the hex nuts, spring washers and bowl washers from the motor and save them for next step 6.

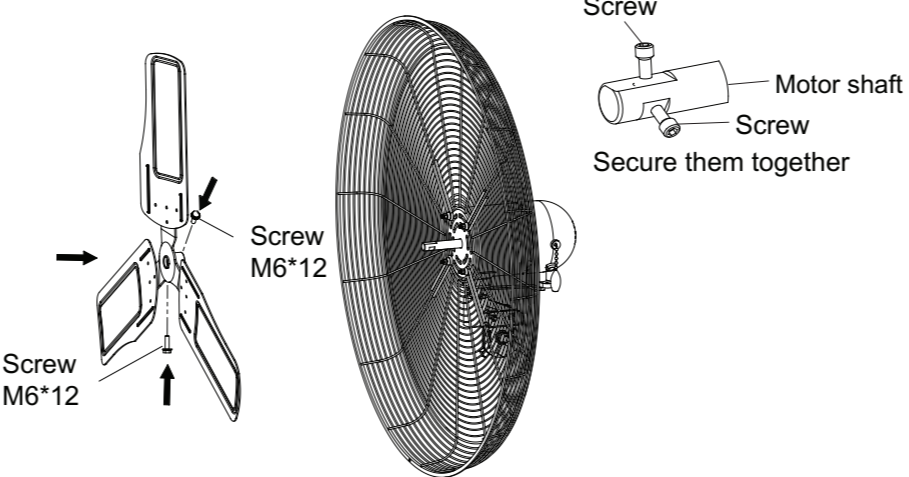


6. Secure the rear guard to the motor and fix it with the bowl washers, spring washers and hex nuts removed from step 5.

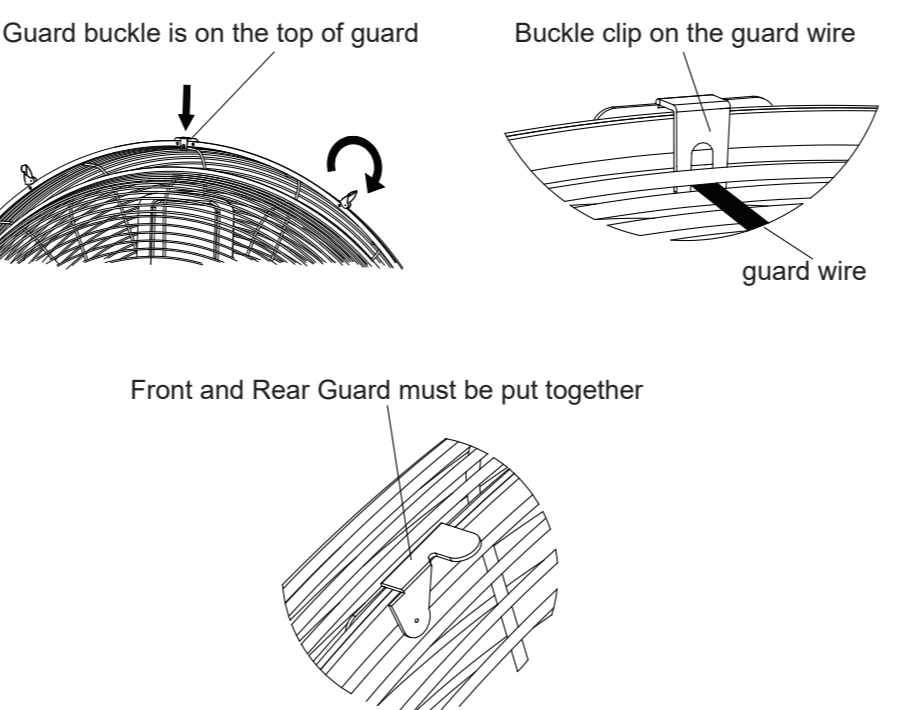


ASSEMBLY INSTRUCTION

7. Attach the fan blades to the motor shaft and lock it accordingly.

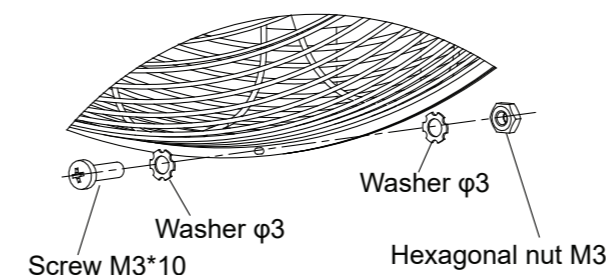


8. Position guard hooks of front guard into ribs of rear guard.

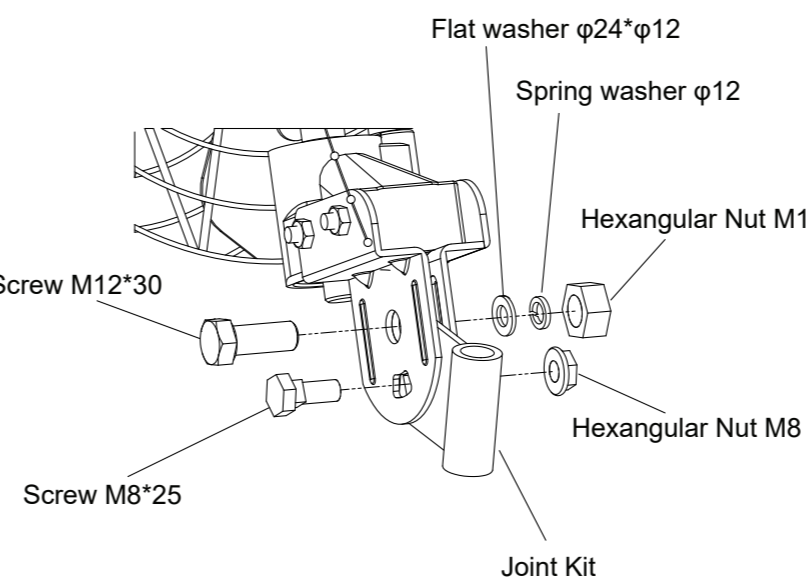


ASSEMBLY INSTRUCTION

9. Secure the assembly of Front guard and rear guard by tightening a screw, washer and nut on the bottom position of them.

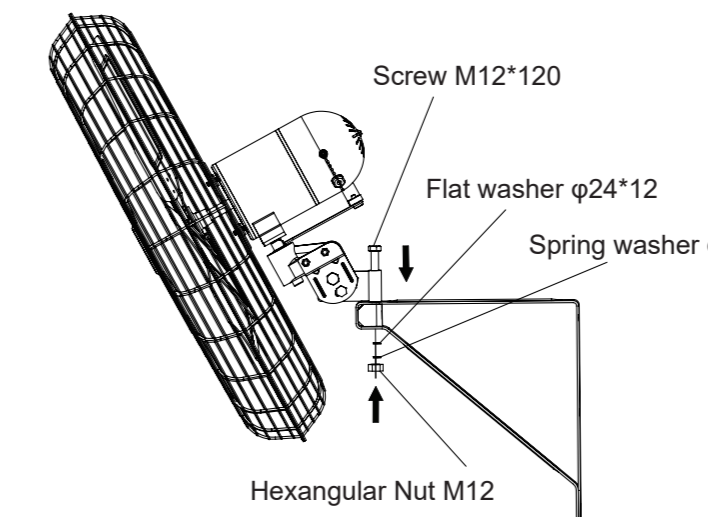


10. Connect Joint Kit with Fan Head by Screw M12X30, Spring Washer φ12, Flat Washer φ12 and Hexangular Nut M12. Then, fasten Screw M8X25 with Hexangular Nut M8 through the Joint Kit for holding the vertical degree between Fan Head and Wall Bracket.

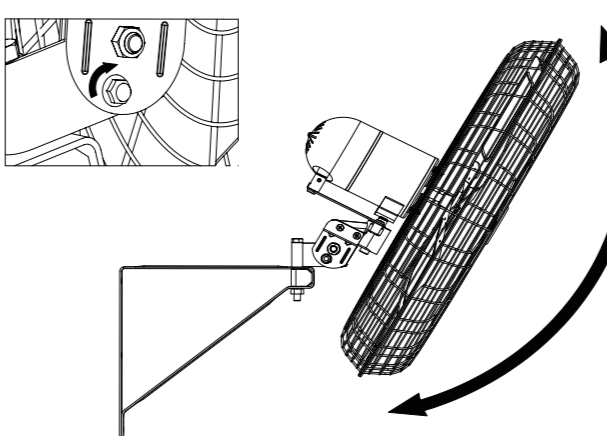


ASSEMBLY INSTRUCTION

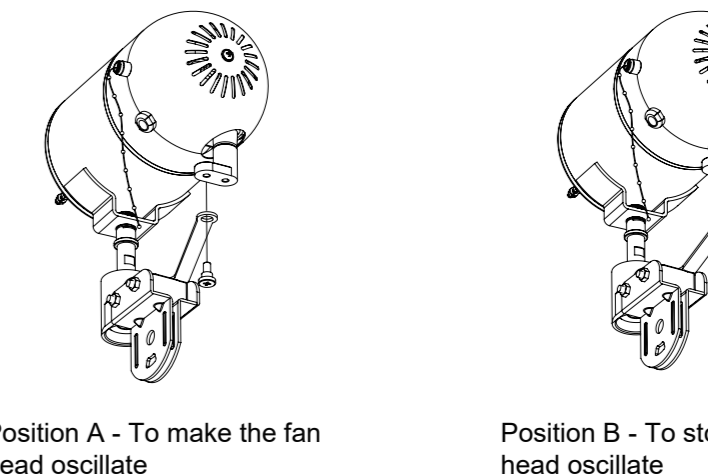
11. Assemble the Fan Head with Wall Bracket by inserting Screw M12X120 through the Joint Kit, and fastening them by Spring Washer φ12, Flat Washer φ12 and Hexangular Nut M12.



12. Loosen Hexangular Nut M8 for adjusting the desired tilt angle of fan head, and fix it again.

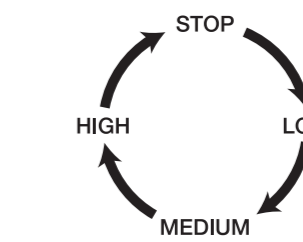


OPERATION INSTRUCTION



Position A - To make the fan head oscillate
Position B - To stop the fan head oscillate

1. To make the fan head oscillate: loosen the screw and move the position A. Tighten it back. Note: the screw is preset at position A at the factory.
2. To stop the fan head oscillate: loosen the screw and move to position B. Tighten it back.
Caution: Switch off the fan before adjusting fan head oscillation.
3. Use the pull chain switch located on back of motor to operate the fan or select speeds.



CARE AND CLEANING

Unplug the appliance before cleaning. Don't use any water for cleaning metal surfaces. Slightly moisten a cloth and then wipe off the surfaces of the fan. In order to remove dust from the grill, use a vacuum cleaner or remove the front grill by removing the securing screws on the edge of the grill. After cleaning, remount the grill. After doing this, fasten the screws on the edge of the grill.

1-YEAR LIMITED WARRANTY

The manufacturer warrants this product to be free from manufacturing defects in the material and workmanship under normal use for a period of one year after the date of purchase by the original purchaser. This warranty does not cover transit damages. This warranty does not apply to damages from accident, misuse, alteration of any kind to the fan or where the connected voltage is more than above the nameplate voltage. This warranty does not apply to the finish on any portion of the product. Servicing performed by unauthorized persons shall render the warranty invalid. The warranty is not responsible for damages of any kind, including accident and consequential damages. Some states do not allow the exclusion or limitation of the incidental or consequential damages, so the above exclusion or limitation may not apply to you. This warranty gives you specific legal rights, and you may also have other rights which vary from state to state.