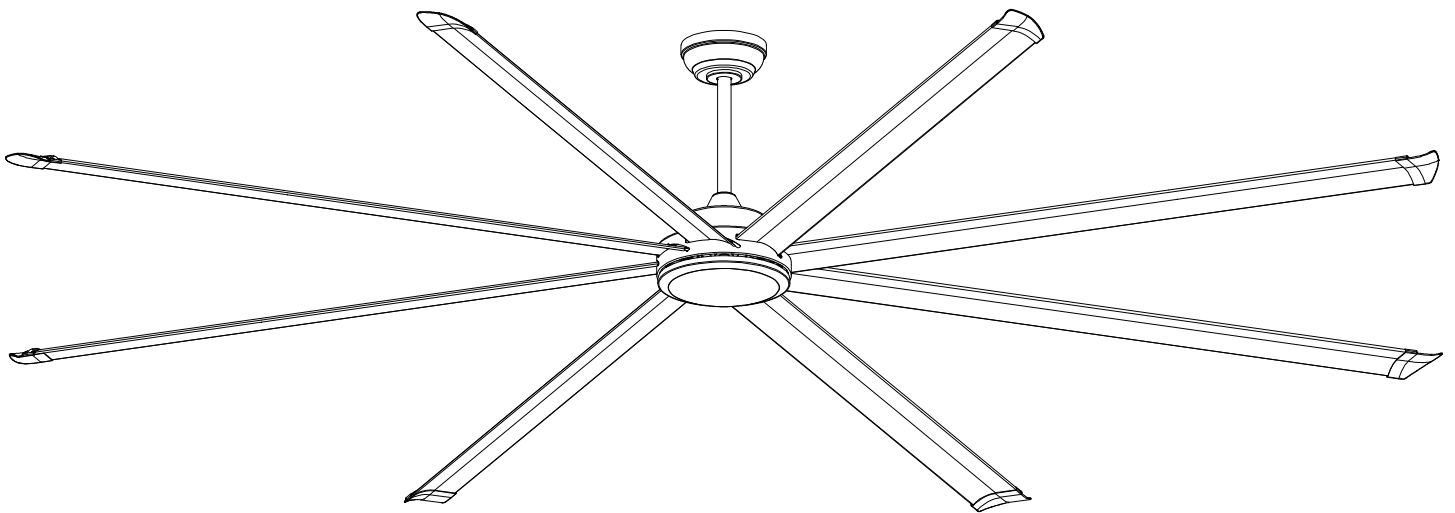


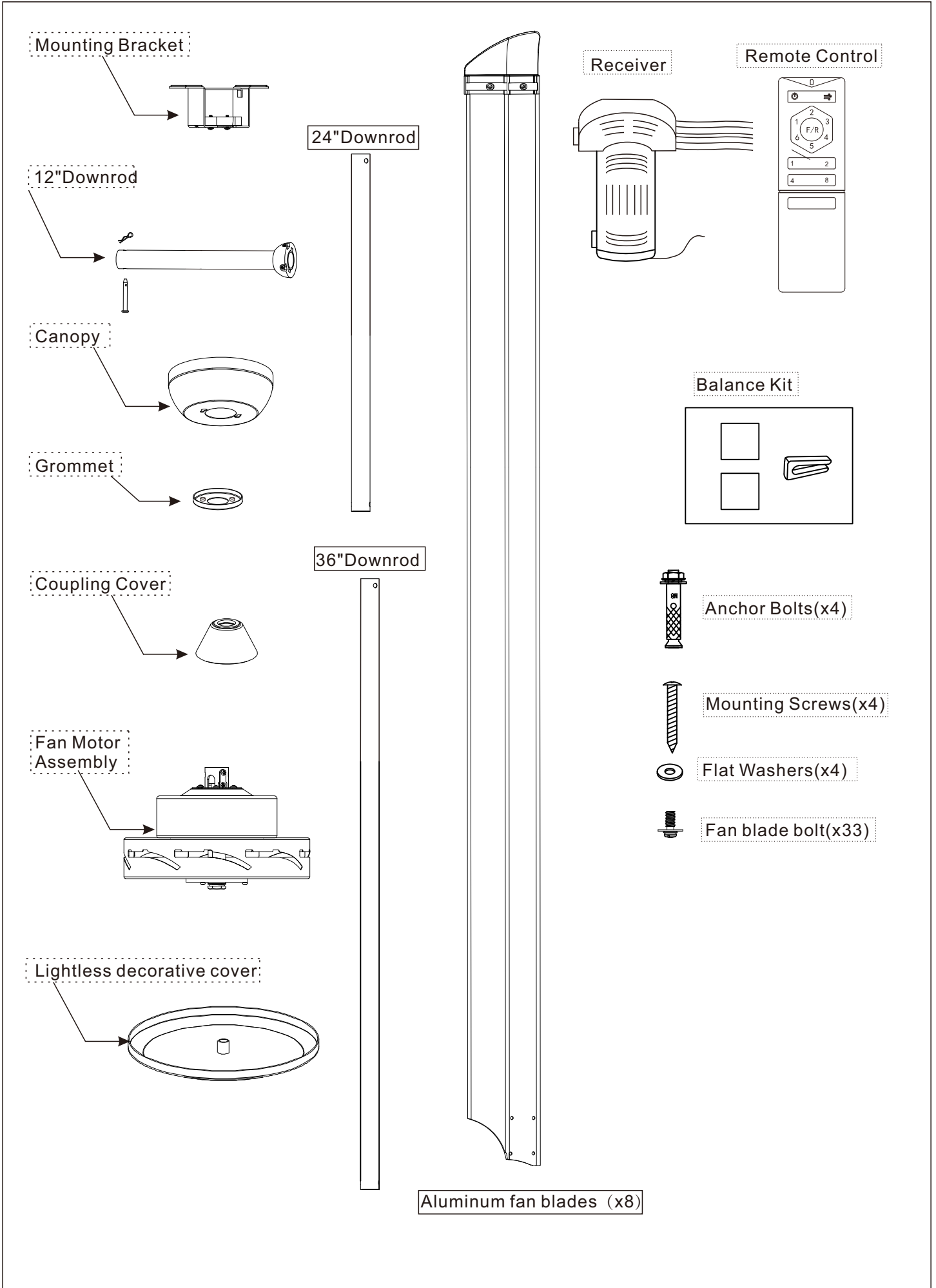
NORTHSKY

120" CEILING FAN

H1-2002



..... Package Contents



Mounting Bracket

12" Downrod

Canopy

Grommet

Coupling Cover

Fan Motor Assembly

Lightless decorative cover

24" Downrod

36" Downrod

Receiver

Remote Control

Balance Kit

Anchor Bolts(x4)

Mounting Screws(x4)

Flat Washers(x4)

Fan blade bolt(x33)

Aluminum fan blades (x8)

..... Safety Information

Warning

- Read all instructions carefully before installation and operation
Install and operate this fan only in accordance with these instructions

Retain these instructions for future reference and provide a copy to anyone who uses or services this fan
- **ONLY** install this fan in indoor locations well protected from the elements
- To reduce the risk of electric shock, ensure electricity has been turned off at the circuit breaker or fuse box before beginning
- All wiring **MUST** be in accordance with national and local electrical codes
Electrical installation should be performed by a qualified licensed electrician
- This fan is suitable for use with solid-state speed controls
- To reduce the risk of personal injury, **ONLY** use the fasteners provided with the junction box for mounting to the junction box

Most junction boxes typically used to support light fixtures are not suitable for fan mounting and may need to be replaced
- The junction box and support structure **MUST** be securely mounted to create a level surface within 10° of horizontal and **MUST** be capable of reliably supporting a minimum of 50 pounds (23 kg)
ONLY use UL listed junction boxes marked "**FOR FAN SUPPORT**"
- After all electrical connections are completed, the spliced conductors shall be turned upward and carefully pushed into the junction box

The wires should be spread apart with the grounded conductor and the equipment-grounding conductor on one side of the junction box
- This fan must be mounted with a minimum clearance of 7 ft (2.5 m) from the blade trailing edge to the floor
- **Do not** operate the reverse switch while the fan blades are rotating
To prevent damage and extend service life, turn off the fan and allow the blades to come to a complete stop before reversing direction
- **Do not** place any objects within the rotation path of the fan blades
- Exercise caution when working around or cleaning the fan
- Use a soft and dry cloth to clean the fan body and blades
DO NOT use water or detergent
- The electrical diagrams provided herein are for reference only

Light kits that are not packaged with the fan **MUST** be UL listed and suitable for use with this fan

Switches **MUST** be UL general use switches
Refer to their separate instructions for proper assembly
- **NEVER** bend the blades for any reason
- **NEVER** replace any parts with nonidentical or unauthorized ones

Preparation

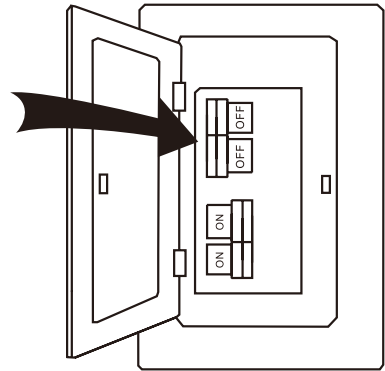
1

Turn off Your Power

Before starting installation, remove fuses or turn off the circuit breakers for the circuit you will be working on. If a compatible UL-listed junction box is already installed, you may use it

Warning

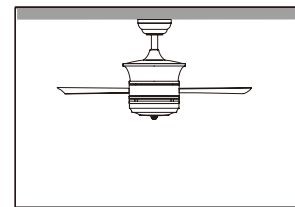
Failure to disconnect power before installation can cause severe electric shock, serious injury, or death



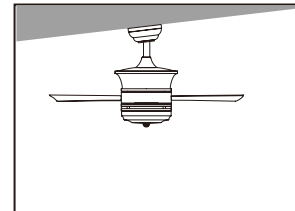
2

Choose Your Mounting Position

If you need to install a new UL listed junction box, secure it directly to your building's structure using appropriate fasteners and materials. **DO NOT** use plastic boxes. The junction box and its supports **MUST** be able to support the **MOVING** weight of the fan (at least 50 lb. or 23 kg) and be rated for fan support. The junction box should create a level surface for the fan that is **NOT** sloped greater than 10 degrees from horizontal in any direction



Use **ONLY** on Flat Ceilings (10)

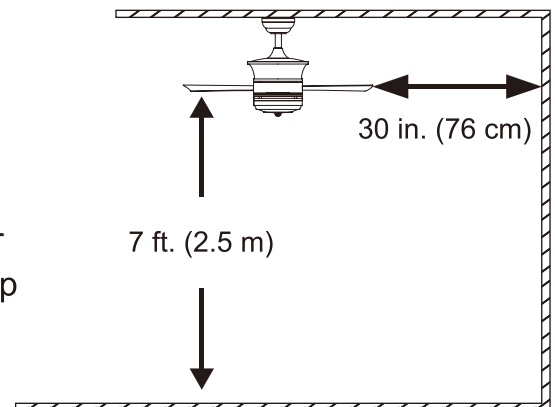


DO NOT Use on Steep Slopes

3

Choose a Suitable Location

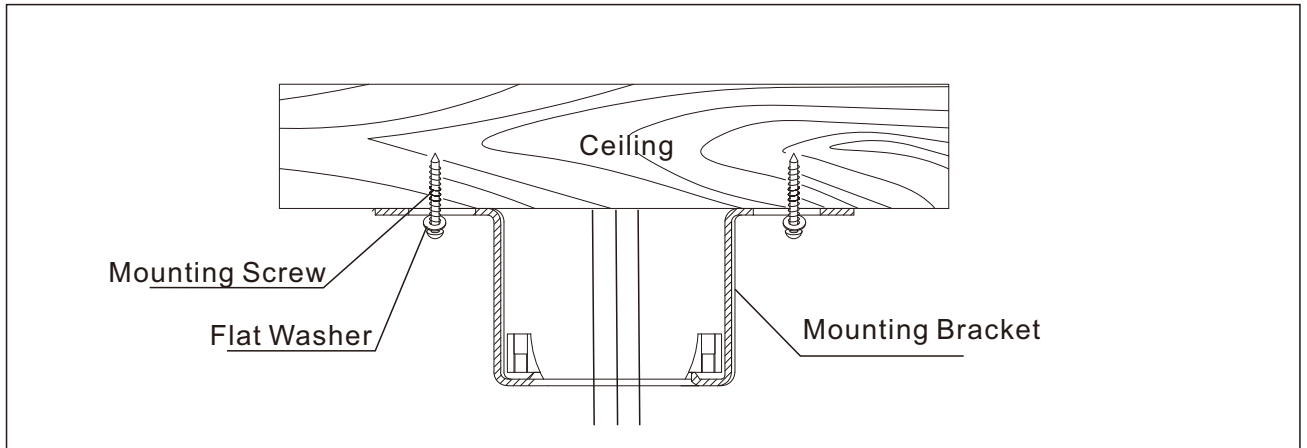
Ensure the blades will be at least 30 inches (76 cm) from any obstruction and at least 7 feet (2.5 m) above the floor. In locations without a ceiling joist, a hanger support bar may be required **DO NOT** install in damp locations



Installation

Mounting Bracket

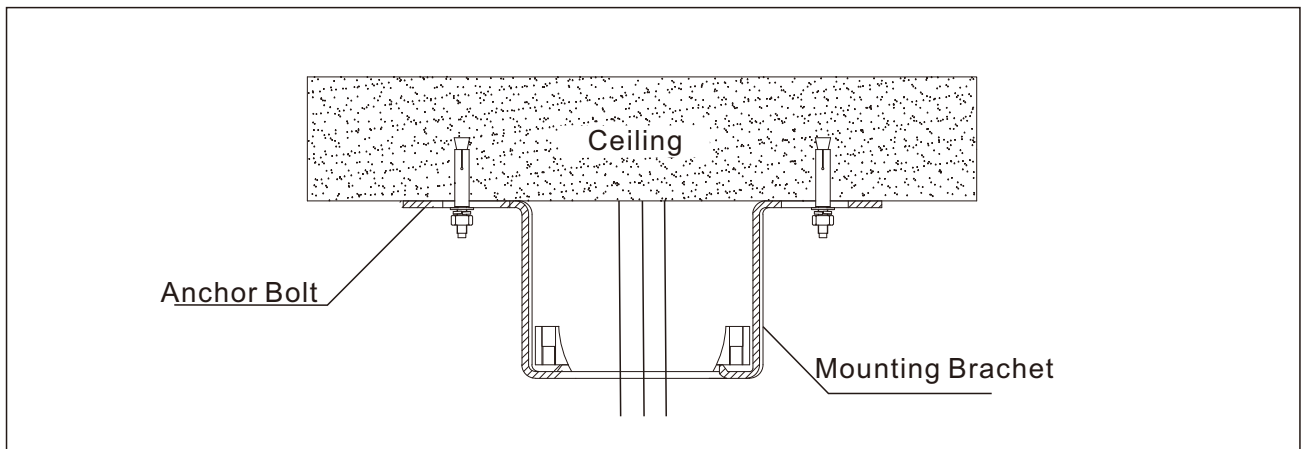
1. Pass the power supply wires and equipment-grounding conductor through the central hole of the mounting bracket
2. Secure the mounting bracket to the junction box with the appropriate fasteners
 - For wooden or other thin, weak ceiling surfaces, secure the bracket in place with the mounting screws and flat washers, and install matching plastic anchors (not included) if required



- For reinforced concrete or similar hard ceiling surfaces, install the anchor bolts as illustrated
Ensure the bolt holes are 8 mm (1/3 in.) in diameter and properly aligned with those of the mounting bracket

Warning

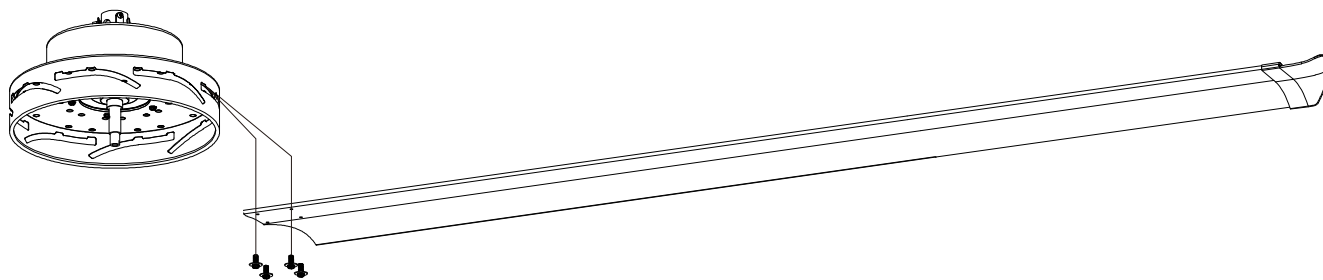
Be careful to avoid power, gas, water, and other lines while drilling



Installation

Fan Blades

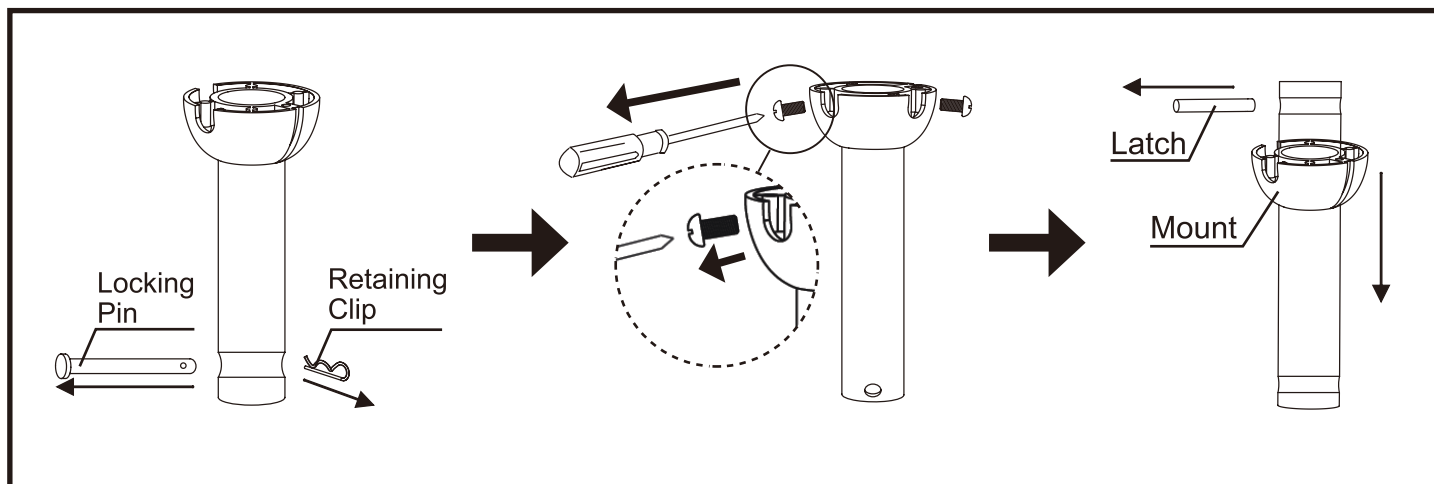
1. Align the fan blades precisely with the grooves on the blade holder disc, and ensure a secure fit to avoid any misalignment
2. Take the matching screws and fix each fan blade onto the motor blade shaft one by one. Tighten them evenly in a diagonal sequence to avoid excessive force on a single screw, which could cause the fan blade to tilt
3. Repeat this step for the remaining blades



Down-rod and Motor

You can choose a short rod or long rod to match the height of the ceiling

1. Remove the retaining clip and locking pin from the lower part of the 12" downrod
2. Unscrew the two Phillips bolts from the mount of this downrod
3. Slide down the mount away from this downrod
4. Pull the latch out of the upper slot of this downrod

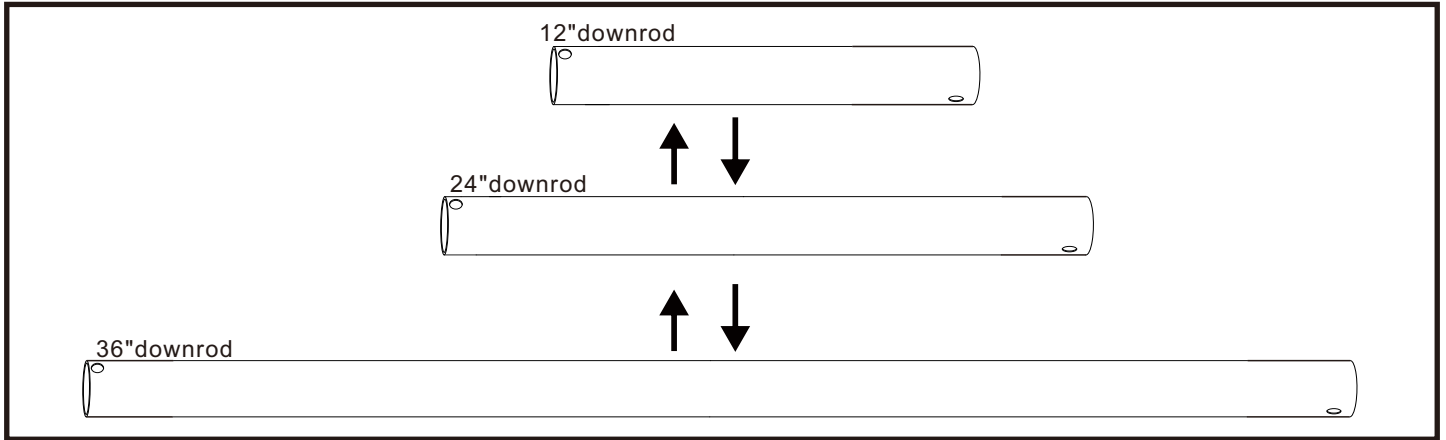


..... Installation

Down-rod and Motor

Attaching a Down-rod to the Motor

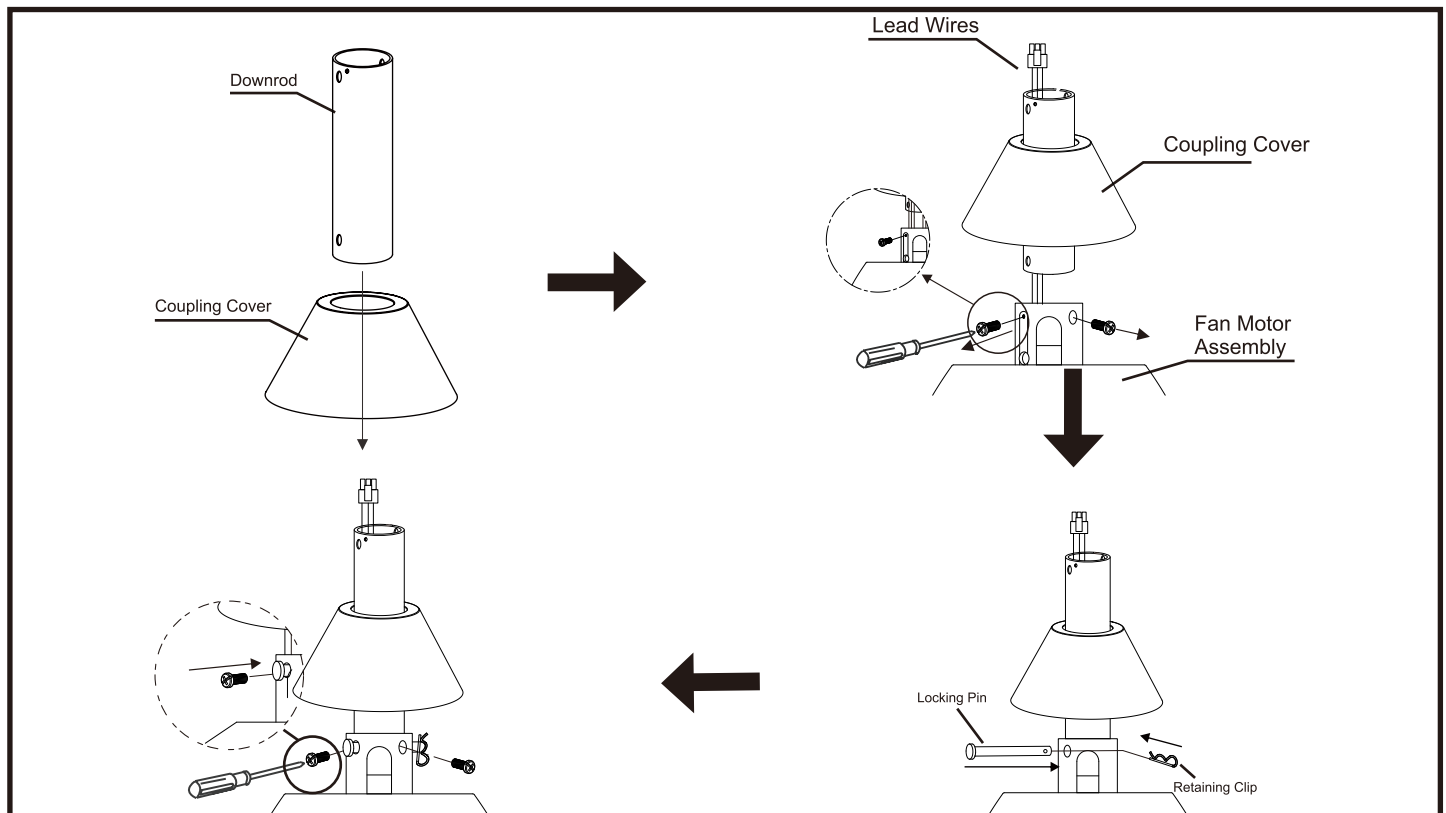
1. Select the 12-inch, 24-inch, or 36-inch downrod to suit your ceiling height



2. Pass the down-rod through the coupling cover as shown
3. Feed the lead wires and safety cable loop from the fan motor assembly through the down-rod
4. Loosen the two Phillips bolts at the top of the motor assembly
5. Fit the downrod onto the motor's top, aligning their slots
6. Partially fasten the downrod by replacing the previously removed locking pin and retaining clip
7. Retighten the previously loosened bolts until the downrod is locked into place

Warning

Failure to reattach the locking pin and retighten the Phillips bolts can cause the fan to fall from the ceiling during operation

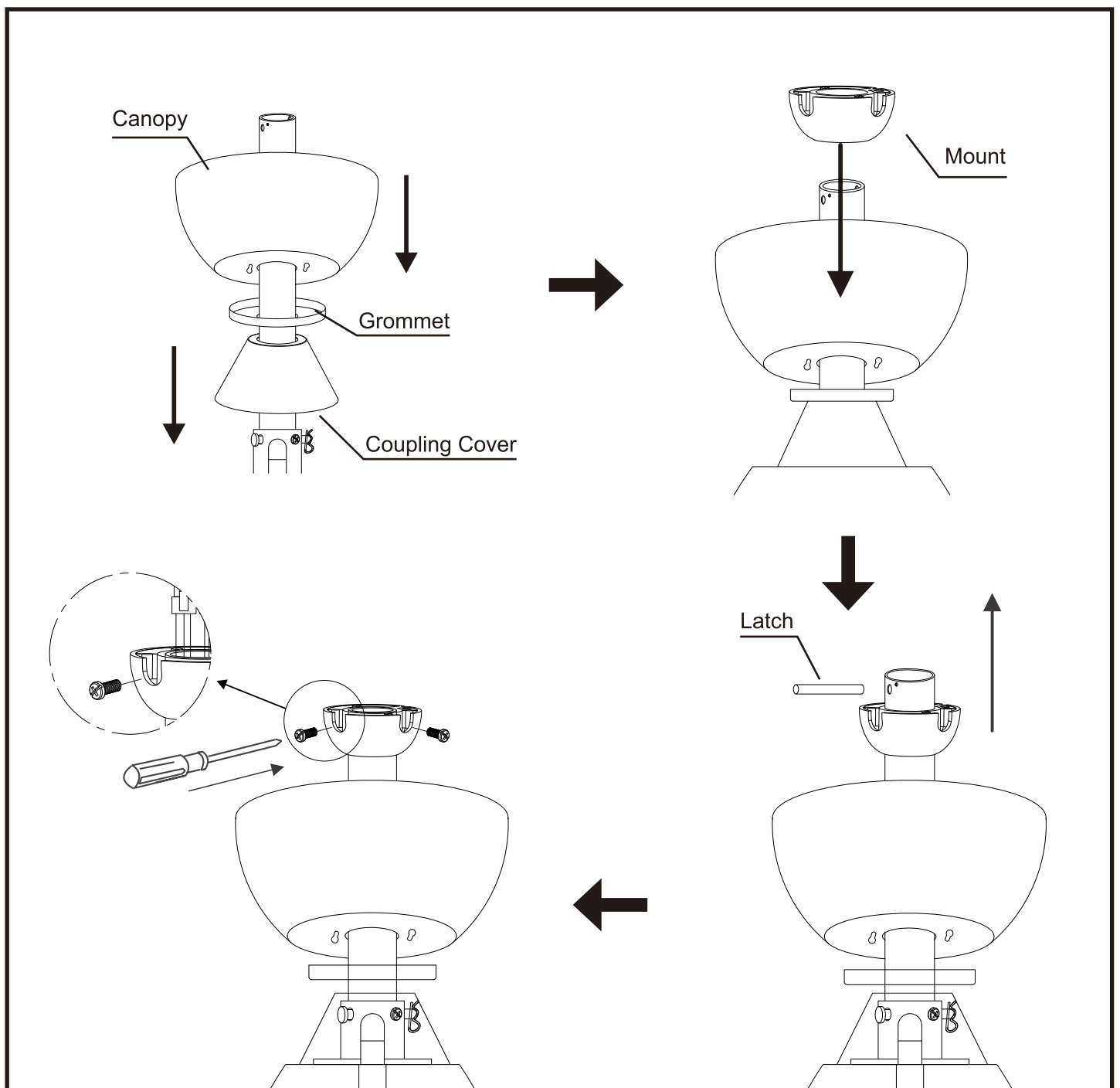


..... Installation

Down-rod and Motor

Reassembling the Down-rod Kit

1. Slide down the coupling cover. Place the grommet and canopy onto the downrod's top and then slide them to the coupling cover as shown
2. Replace the downrod's mount, passing the lead wires and safety cable loop through it
3. Insert the removed latch back into the downrod's upper slot
4. Slide up the downrod's mount, rotating until the latch is firmly seated inside the mount
5. Reinstall and tighten the removed Phillips-head screws onto the mounting bracket



Installation

Down-rod and Motor

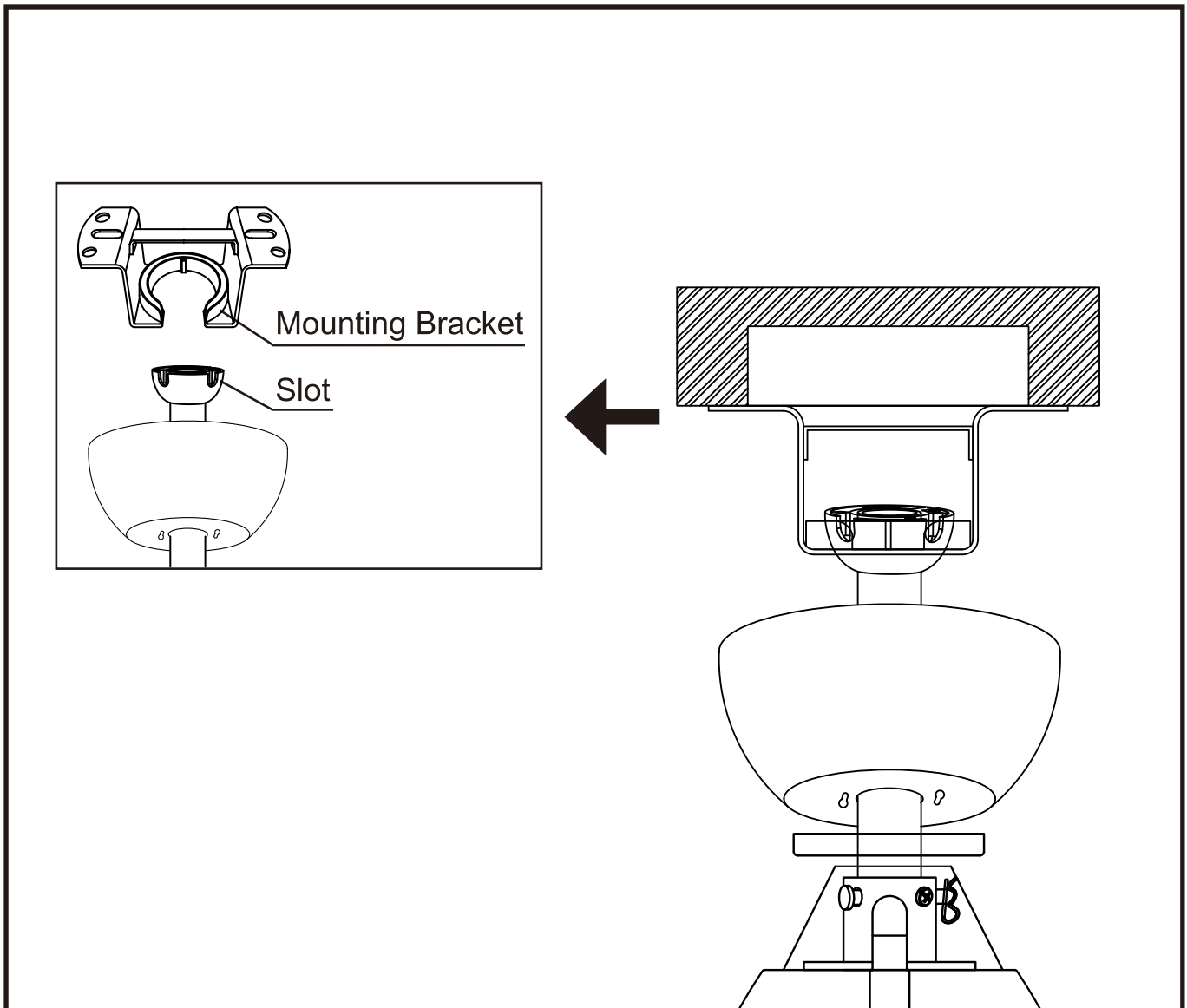
Hanging the Down-rod and Motor

1. Place the downrod's mount onto the mounting bracket
2. Rotate the entire assembly until the tab has dropped into the mount's slot and locks itself in place

Warning

Failure to properly seat the downrod can cause the fan to fall from the ceiling during operation

DO NOT use the fan before ensuring it is properly secured and the motor assembly cannot rotate



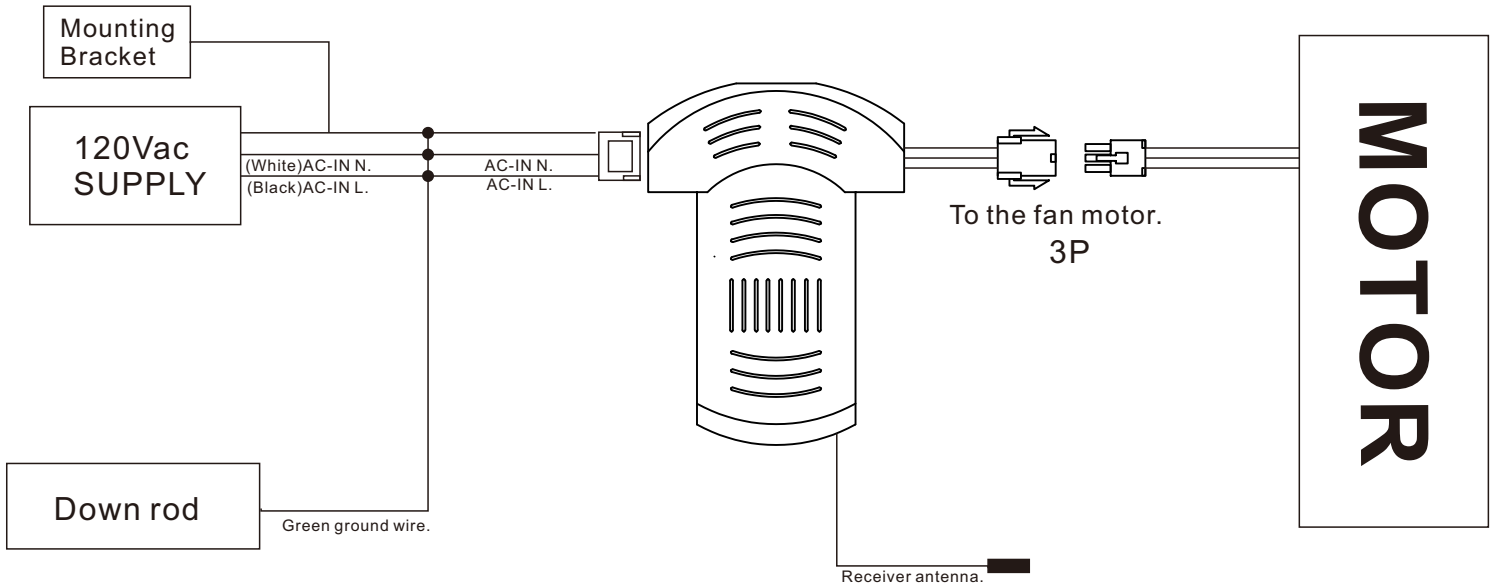
Installation

Wiring

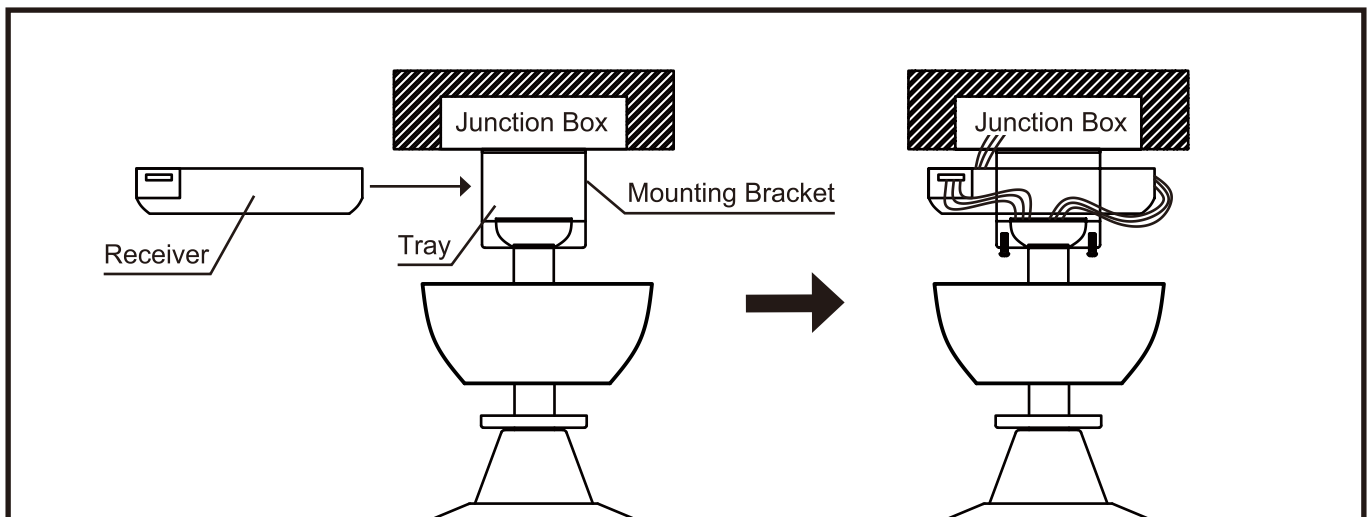
⚠ Warning

- Again, ensure that the power has been cut before working with the wiring
- If using the twist-on wire connectors, make sure they securely fasten the wires by gently tugging on each connection
- For best results, apply electrical tape to each connection
- Be sure that there are no loose wires or connections

1. Connect the fan to the remote control. The fan's 3P plug should insert into the remote control's 3P plug
2. Connect the remote control to the house's power line, then connect the remote control's white wire to the house's white wire. Connect the remote control's black wire to the house's black wire, and connect all the fans' green ground wires to the house of ground wires. Secure wires



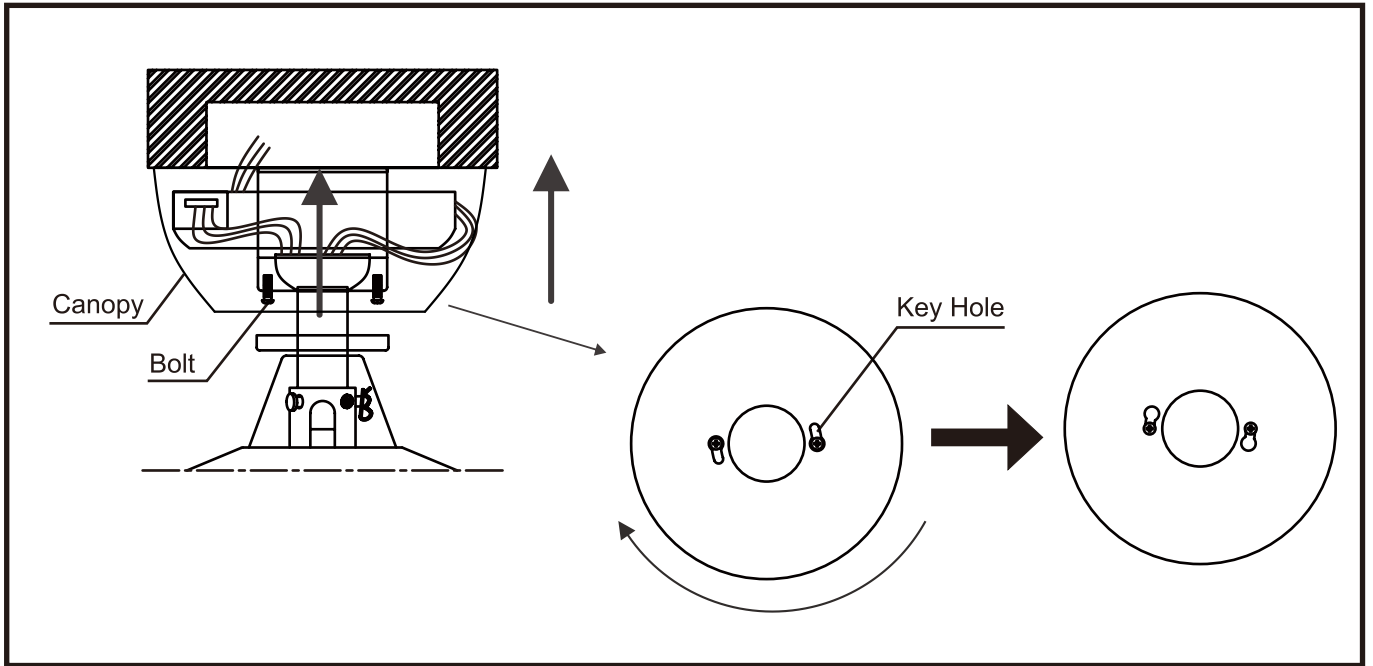
3. Insert the receiver into the tray at the top of the fan motor assembly, ensuring it faces the ceiling and its white antenna remains extended and not tangled with any of the electrical wires
4. Tuck all wire connections neatly into the junction box



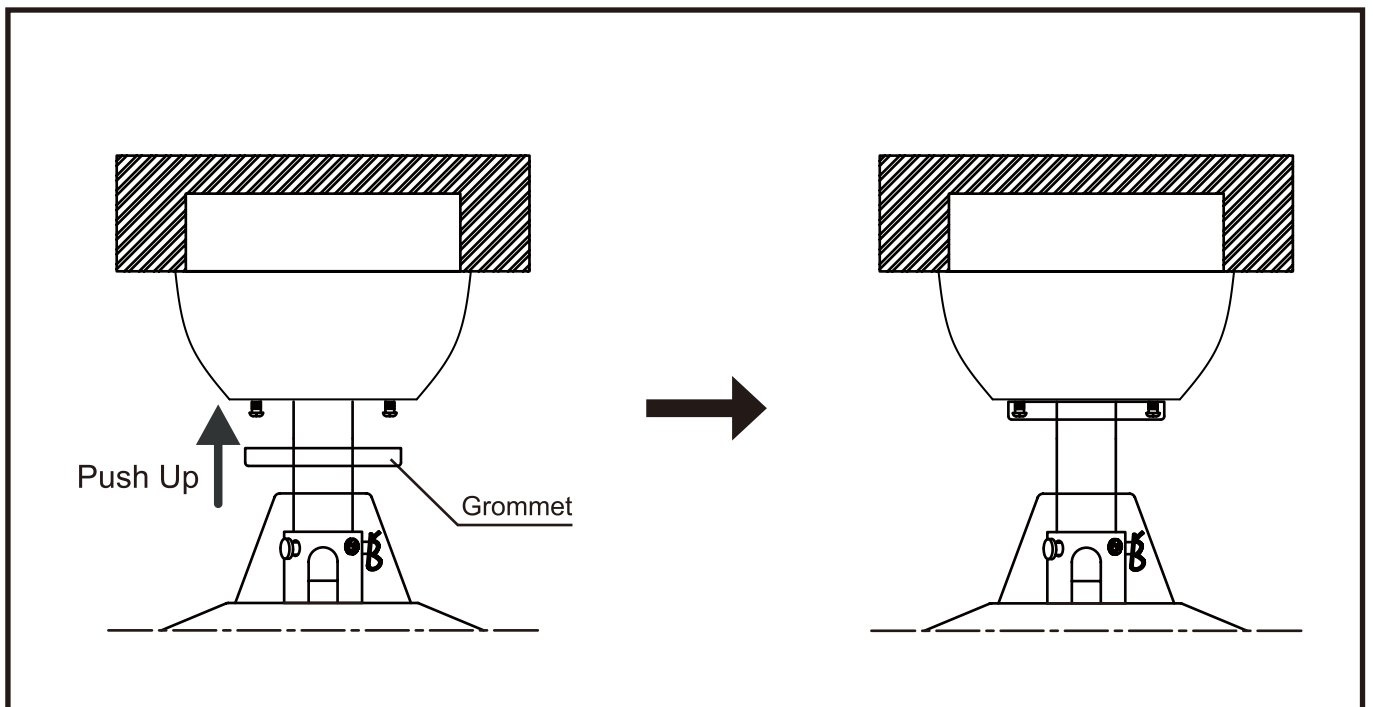
..... Installation

Canopy

1. Slide the canopy up to the mounting bracket
2. Place the key holes over the bolts pre-installed on the bracket
3. Rotate the canopy until the bolts' heads lock in place at the narrow sections of the key holes
4. Tighten these bolts as needed



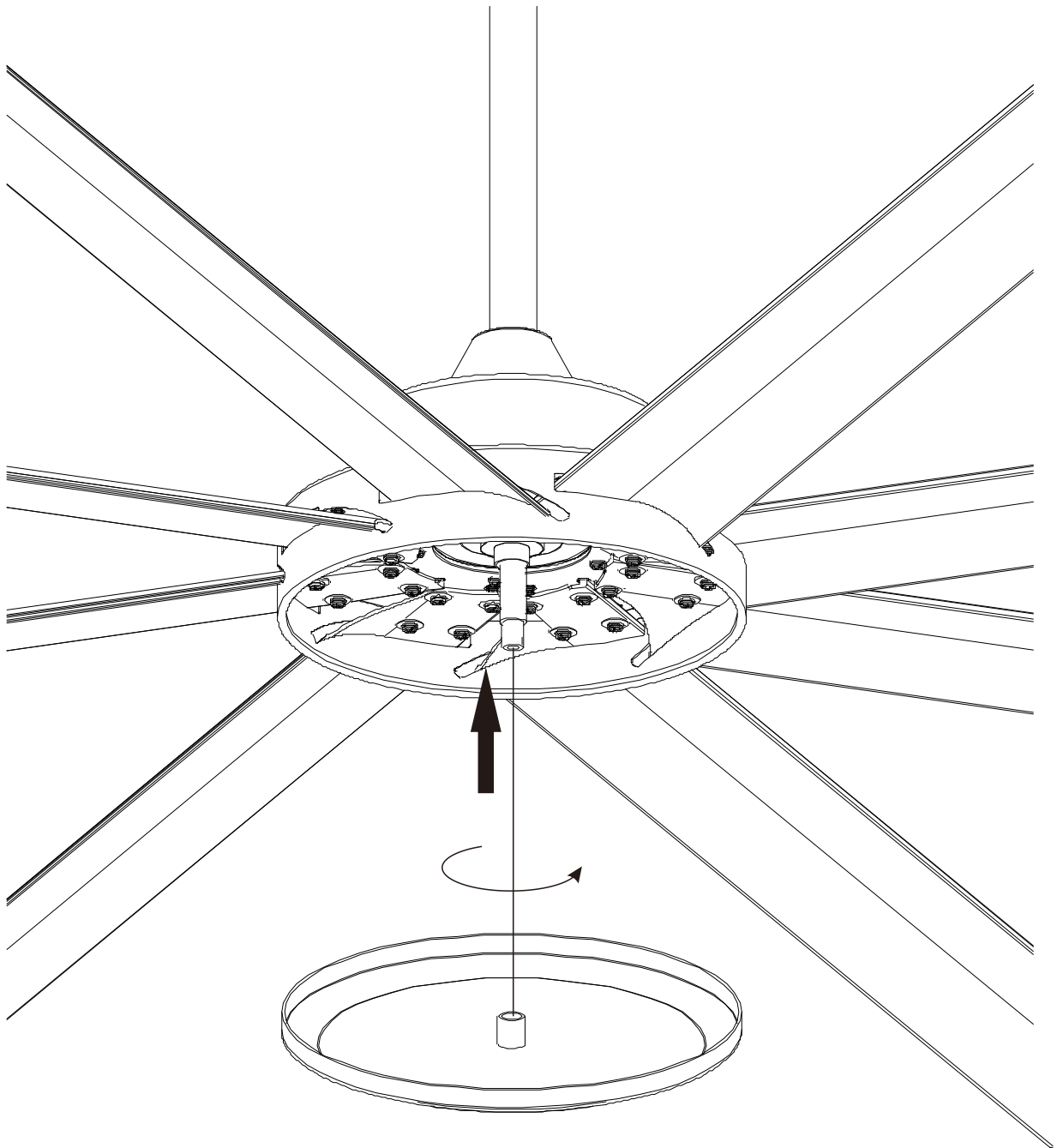
5. Attach the grommet to the bottom of the canopy using its magnets



..... Installation

Install the lightless decorative cover

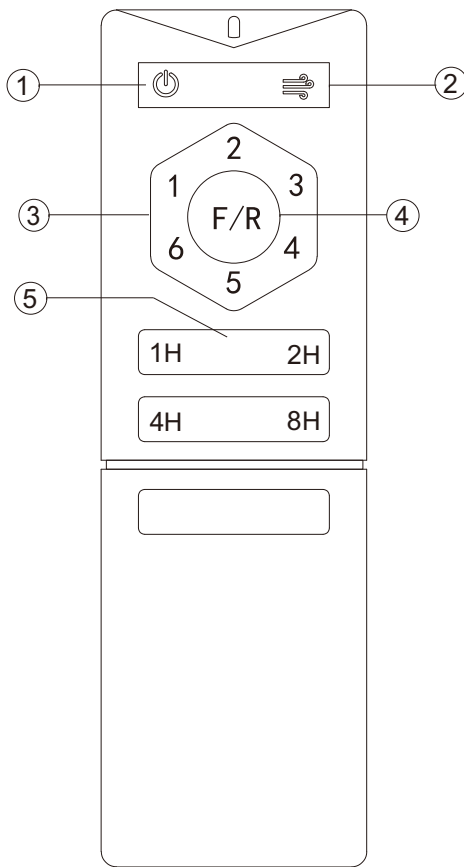
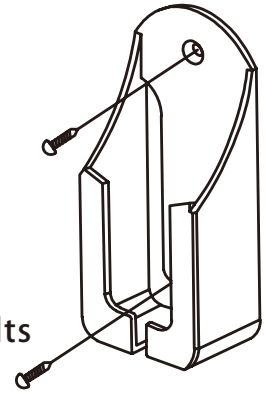
1. Align the lampless decorative cover with the motor shaft core as shown, then tighten it clockwise



..... Remote Control Operation

This remote operates within a range of 30 feet (10 m) using two 1.5V AAA batteries (not included). If the remote will not be used for a prolonged

If needed, install the remote control holder onto a wall or any other suitable flat surface using appropriate fasteners. For wood or other thinner and weaker surfaces, use the provided steel screws and plastic anchors. For reinforces concrete or similar surfaces, use anchor bolts for best results



- ① Fan main switch
- ② Imitate natural wind
Automatically adjust the fan rotation speed according to the preset program
- ③ Fan Speed 1-6
- ④ Switch the fan blade rotation direction (forward/reverse)
- ⑤ Periodic fan shutdown button
Timing time: 1 hour, 2 hours, 4 hours, 8 hours

KINDLY REMINDERS:

1. When the emitter cannot control the receiver, please check the battery switch touching normally or not, correction of the positive and negative, full or empty of the power
2. When the emitter cannot control the receiver, please check is there any existence of similar remote controlled products nearby, then check whether they work, because remote-controlled product with the same frequency will disturb each other
3. Low voltage of battery will affect the sensitivity of the emitter and the signal reception accordingly (the indicated light will flash out its warning when the battery voltage is low), must replace if the battery is getting low voltage
4. Please take out the battery from the emitter when leaving unused for long time
5. Supporting 200W lighting power at maximum
 - PS: please connect the ground wire correctly, otherwise it may cause the light micro-light or flash

..... Troubleshooting

Problem	Solution
Fan will not start	<ol style="list-style-type: none"> 1. Check circuit fuses or breakers 2. Check all electrical connections to ensure proper contact. CAUTION: Make sure the main power is OFF when checking any electrical connection
Fan sounds noisy	<ol style="list-style-type: none"> 1. Make sure all motor housing screws are snug 2. Make sure the screws that attach the fan blade brackets to the motor are tight 3. Make sure wire nut connections are not rubbing against each other or the interior wall of the switch housing <p>CAUTION: Make sure main power is off</p> <ol style="list-style-type: none"> 4. Allow a 24-hour "breaking-in" period. Most noise associated with a new fan disappear during this time 5. If using an optional light kit, make sure the screws securing the glassware are tight. Check that the light bulb is also secure 6. Some fan motors are sensitive to signals from solid-state variable speed controls. If you have installed this type of control, choose and install another type of control 7. Make sure the upper canopy is a short distance from the ceiling. It should not touch the ceiling
Fan wobble	<ol style="list-style-type: none"> 1. Check that all blade and blade arm screws are secure 2. Most fan wobbling problems are caused when blade levels are uneven Check this level by selecting a point on the ceiling above the tip of one of the blades. Measure this distance. Rotate the fan until the next blade is positioned for measurement. Repeat for each blade. The distance deviation should be equal within "1/8" 3. Use the enclosed Blade Balancing Kit if the blade wobble is still noticeable 4. If the blade wobble is still noticeable, interchanging two adjacent (side by side) blades can redistribute the weight and possibly result in smoother operation <p>WARNING: TO REDUCE THE RISK OF PERSONAL INJURY, DO NOT BEND THE BLADE ARM WHILE INSTALLING, BALANCING THE BLADES, OR CLEANING THE FAN. DO NOT INSERT FOREIGN OBJECTS BETWEEN ROTATING FAN BLADES</p>