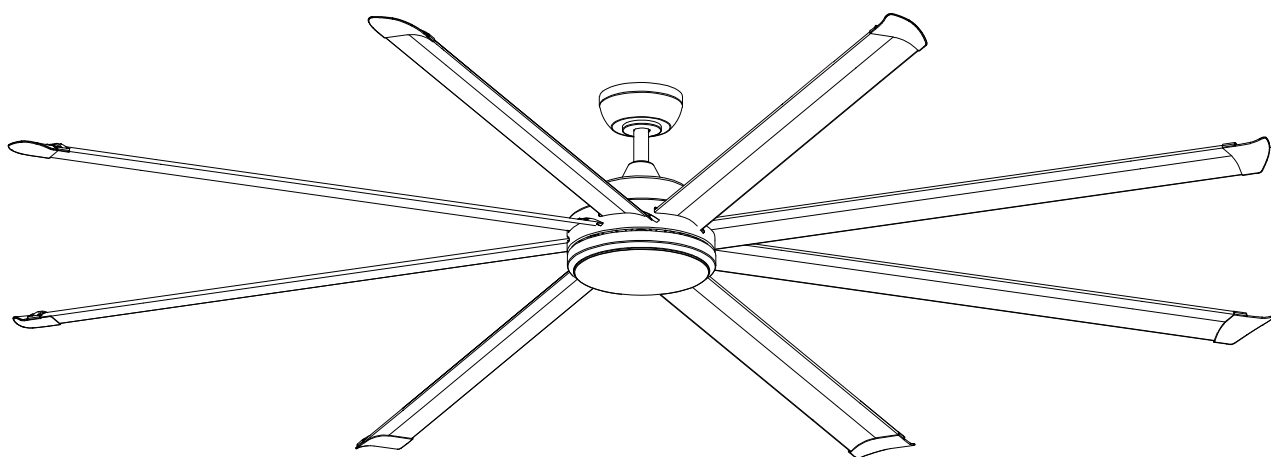


NORTHSKY

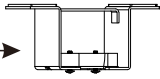
CEILING FAN WITH LIGHT

H1-2001

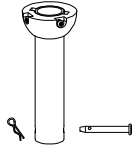


..... Package Contents

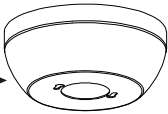
Mounting Bracket:



5" Downrod:



Canopy:



Grommet:



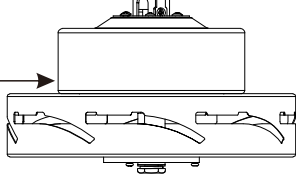
10" Downrod:



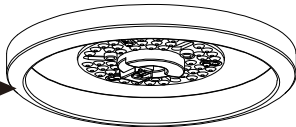
Coupling Cover:



Fan Motor Assembly:



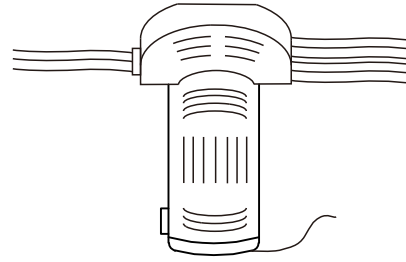
Lamp panel:



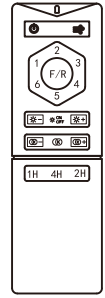
Shade:



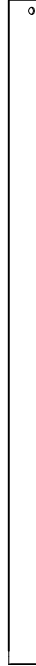
Receiver:



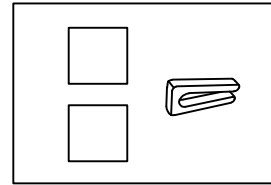
Remote Control:



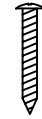
24" Downrod:



Balance Kit:



Anchor Bolts(x4)



Mounting Screws(x4)



Flat Washers(x4)



Fan blade bolt(x33)

Aluminum fan blades (x8)

..... Safety Information

Warning

- Read all instructions carefully before installation and operation
Install and operate this fan only in accordance with these instructions

Retain these instructions for future reference and provide a copy to anyone who uses or services this fan
- **ONLY** install this fan in indoor locations well protected from the elements
- To reduce the risk of electric shock, ensure electricity has been turned off at the circuit breaker or fuse box before beginning
- All wiring **MUST** be in accordance with national and local electrical codes
Electrical installation should be performed by a qualified licensed electrician
- This fan is suitable for use with solid-state speed controls
- To reduce the risk of personal injury, **ONLY** use the fasteners provided with the junction box for mounting to the junction box

Most junction boxes typically used to support light fixtures are not suitable for fan mounting and may need to be replaced
- The junction box and support structure **MUST** be securely mounted to create a level surface within 10° of horizontal and **MUST** be capable of reliably supporting a minimum of 50 pounds (23 kg)
ONLY use UL listed junction boxes marked "**FOR FAN SUPPORT**"
- After all electrical connections are completed, the spliced conductors shall be turned upward and carefully pushed into the junction box

The wires should be spread apart with the grounded conductor and the equipment-grounding conductor on one side of the junction box
- This fan must be mounted with a minimum clearance of 7 ft (2.5 m) from the blade trailing edge to the floor
- **Do not** operate the reverse switch while the fan blades are rotating
To prevent damage and extend service life, turn off the fan and allow the blades to come to a complete stop before reversing direction
- **Do not** place any objects within the rotation path of the fan blades
- Exercise caution when working around or cleaning the fan
- Use a soft and dry cloth to clean the fan body and blades
DO NOT use water or detergent
- The electrical diagrams provided herein are for reference only

Light kits that are not packaged with the fan **MUST** be UL listed and suitable for use with this fan

Switches **MUST** be UL general use switches

Refer to their separate instructions for proper assembly
- **NEVER** bend the blades for any reason
- **NEVER** replace any parts with nonidentical or unauthorized ones

Preparation

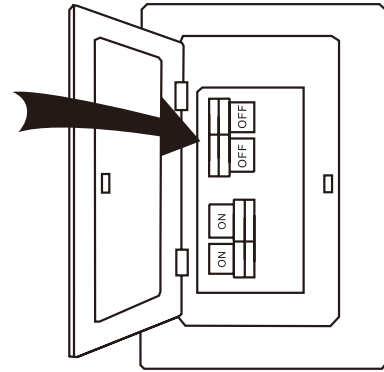
1

Turn off Your Power

Before starting installation, remove fuses or turn off the circuit breakers for the circuit you will be working on. If a compatible UL-listed junction box is already installed, you may use it

Warning

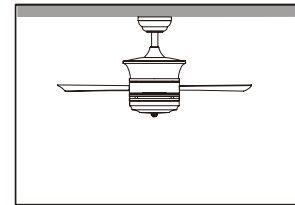
Failure to disconnect power before installation can cause severe electric shock, serious injury, or death



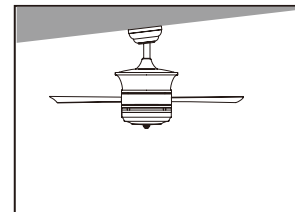
2

Choose Your Mounting Position

If you need to install a new UL listed junction box, secure it directly to your building's structure using appropriate fasteners and materials. **DO NOT** use plastic boxes. The junction box and its supports **MUST** be able to support the **MOVING** weight of the fan (at least 50 lb. or 23 kg) and be rated for fan support. The junction box should create a level surface for the fan that is **NOT** sloped greater than 10 degrees from horizontal in any direction



Use **ONLY** on Flat Ceilings (10)

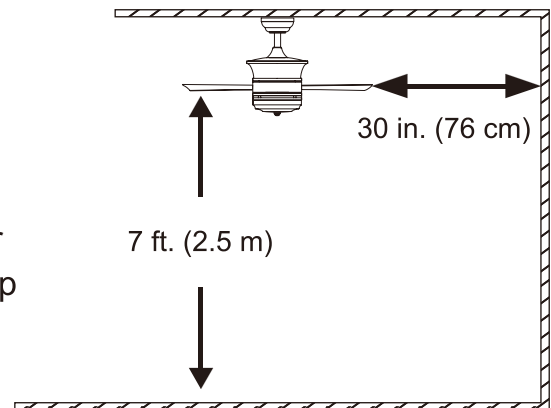


DO NOT Use on Steep Slopes

3

Choose a Suitable Location

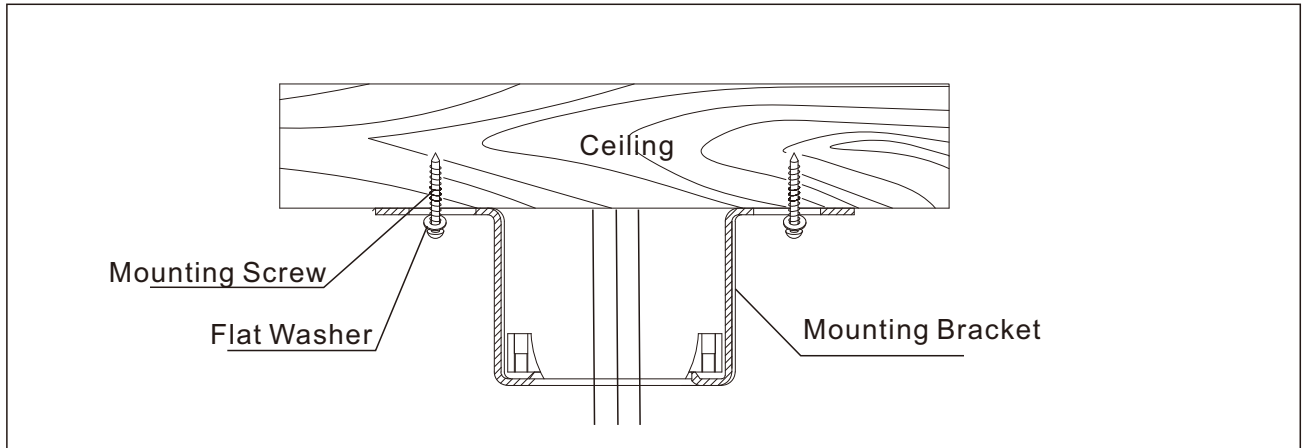
Ensure the blades will be at least 30 inches (76 cm) from any obstruction and at least 7 feet (2.5 m) above the floor. In locations without a ceiling joist, a hanger support bar may be required **DO NOT** install in damp locations



Installation

Mounting Bracket

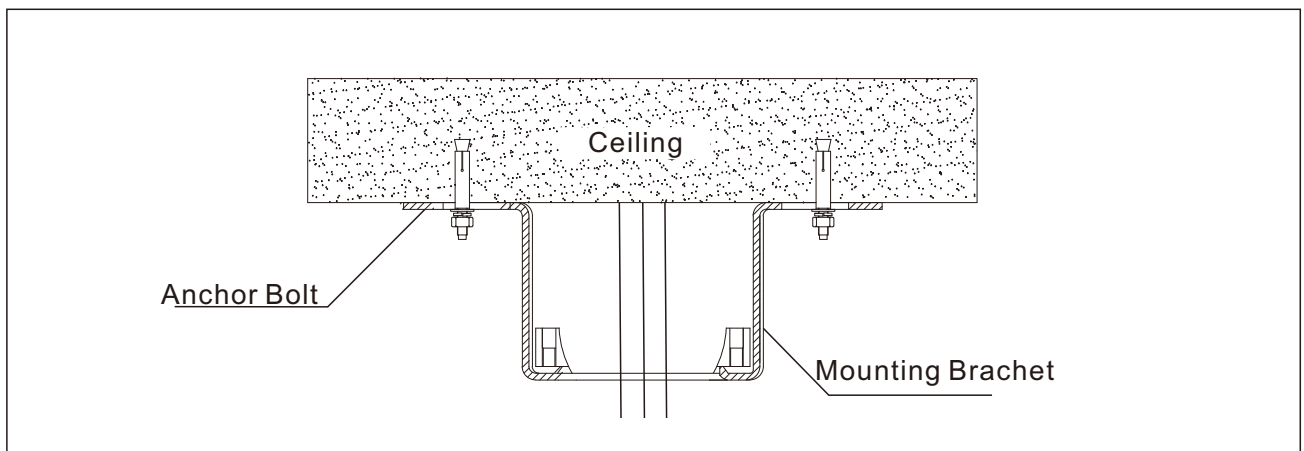
1. Pass the power supply wires and equipment-grounding conductor through the central hole of the mounting bracket
2. Secure the mounting bracket to the junction box with the appropriate fasteners
 - For wooden or other thin, weak ceiling surfaces, secure the bracket in place with the mounting screws and flat washers, and install matching plastic anchors (not included) if required



- For reinforced concrete or similar hard ceiling surfaces, install the anchor bolts as illustrated
Ensure the bolt holes are 8 mm (1/3 in.) in diameter and properly aligned with those of the mounting bracket

Warning

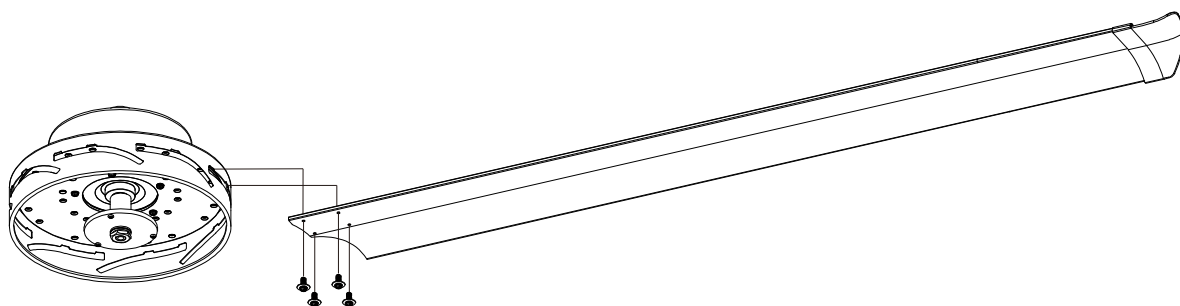
Be careful to avoid power, gas, water, and other lines while drilling



Installation

Fan Blades

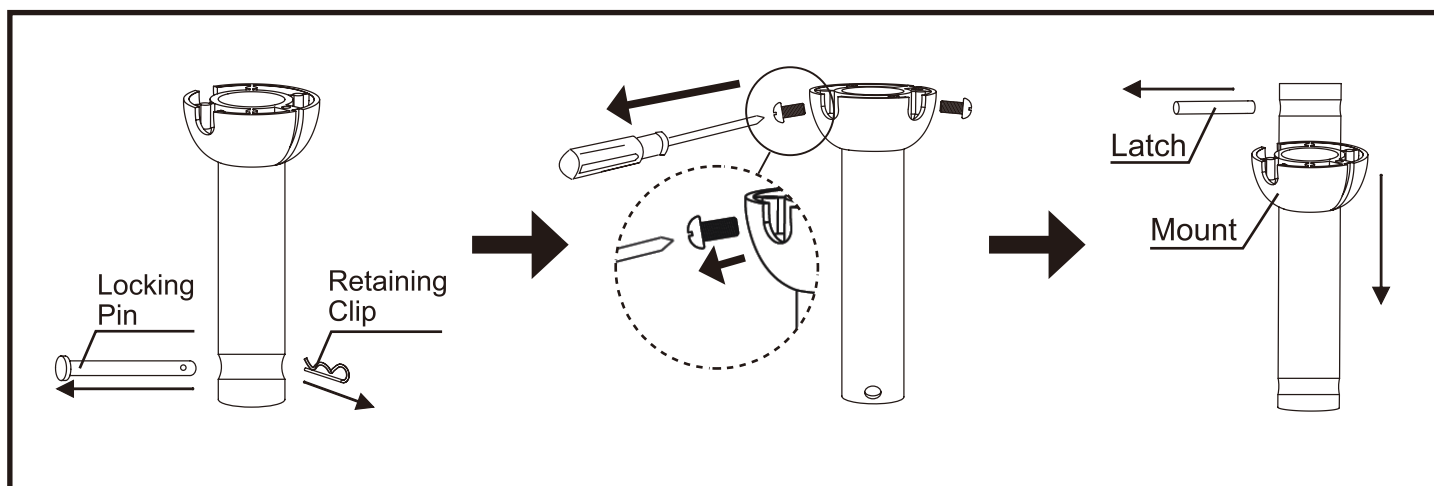
1. Align the fan blades precisely with the grooves on the blade holder disc, and ensure a secure fit to avoid any misalignment
2. Take the matching screws and fix each fan blade onto the motor blade shaft one by one. Tighten them evenly in a diagonal sequence to avoid excessive force on a single screw, which could cause the fan blade to tilt
3. Repeat this step for the remaining blades



Down-rod and Motor

You can choose a short rod or long rod to match the height of the ceiling

1. Remove the retaining clip and locking pin from the lower part of the 5" downrod
2. Unscrew the two Phillips bolts from the mount of this downrod
3. Slide the mounting bracket downward to remove it from the downrod
4. Remove the latch from the upper slot of the downrod

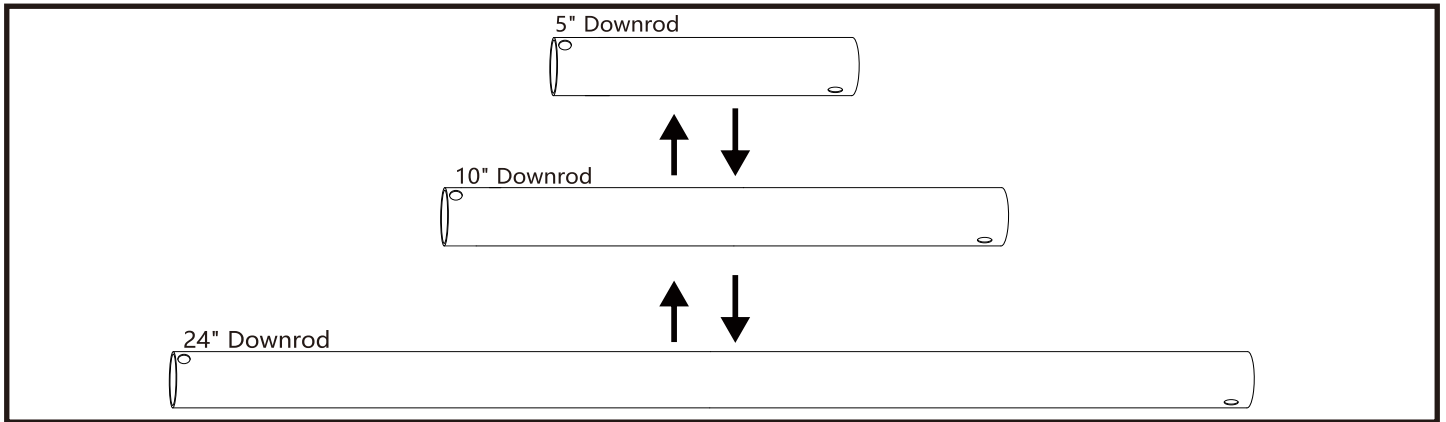


Installation

Down-rod and Motor

Attaching a Down-rod to the Motor

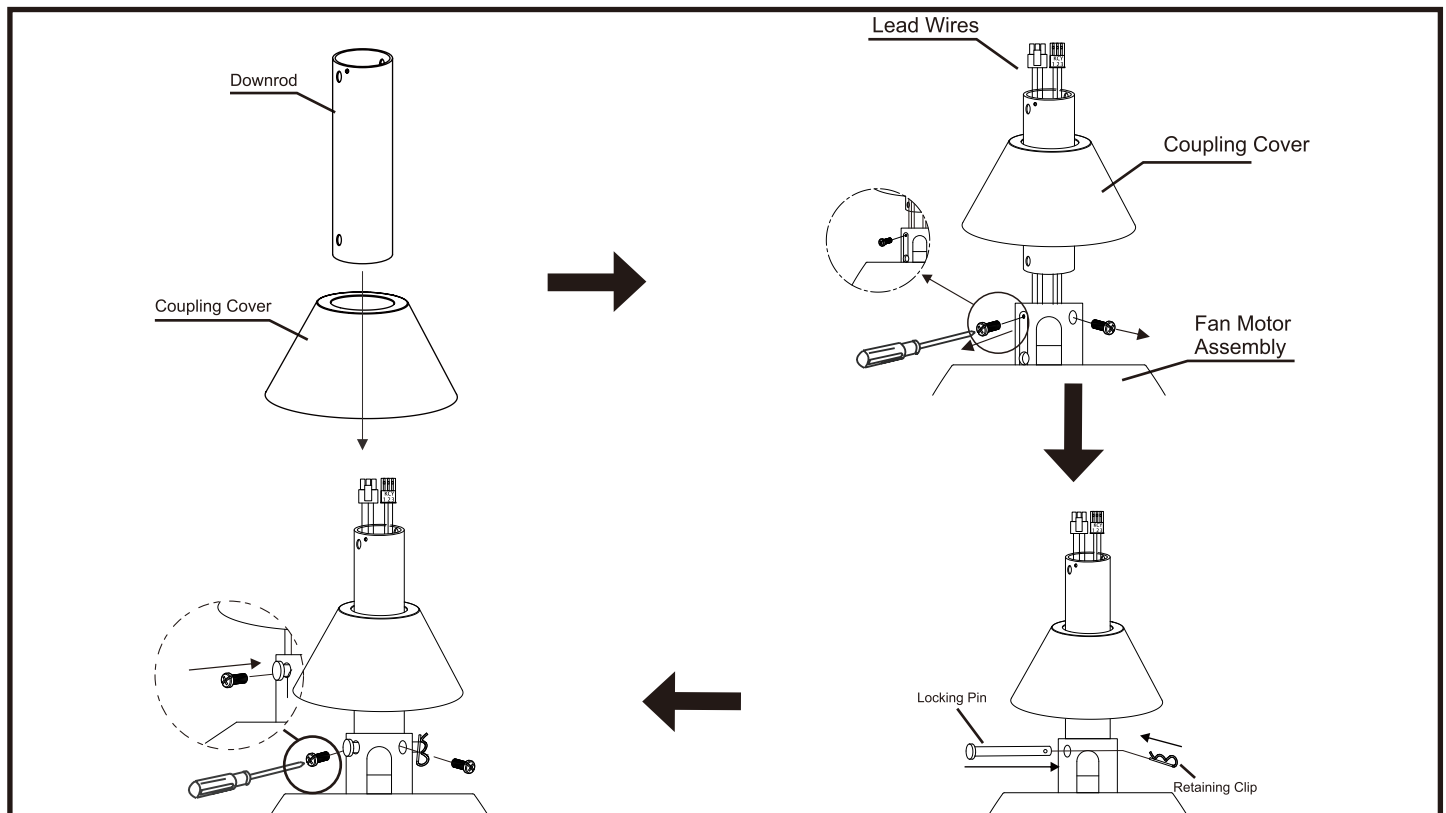
1. Select the 5-inch, 10-inch, or 24-inch downrod to suit your ceiling height



2. Feed the downrod through the coupling cover as illustrated
3. Feed the lead wires and safety cable loop from the fan motor assembly through the downrod
4. Loosen the two Phillips bolts at the top of the motor assembly
5. Fit the downrod onto the motor's top, aligning their slots
6. Partially fasten the downrod by replacing the previously removed locking pin and retaining clip
7. Retighten the previously loosened bolts until the downrod is securely locked in place

Warning

Failure to reattach the locking pin and retighten the Phillips bolts can cause the fan to fall from the ceiling during operation

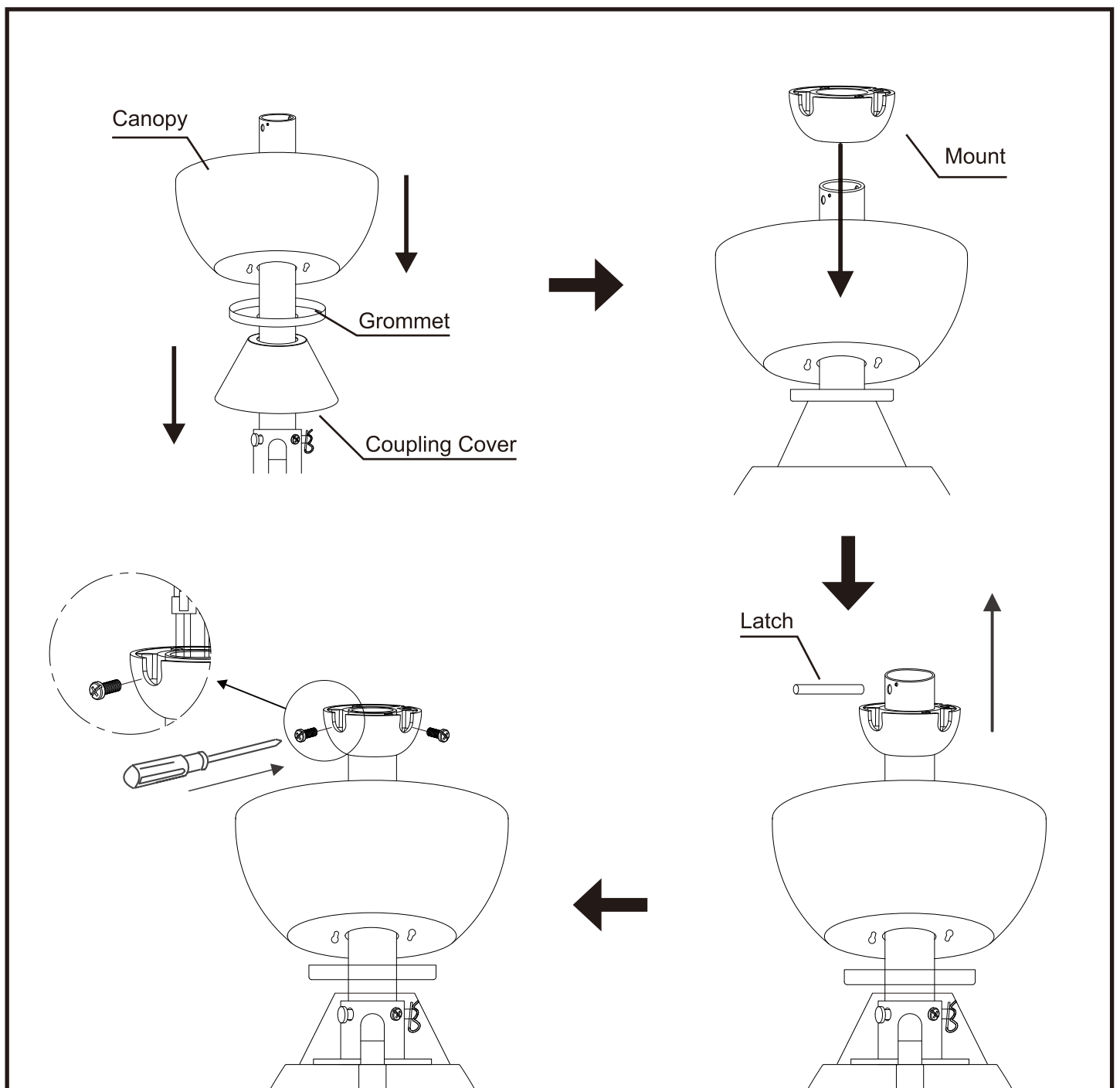


..... Installation

Down-rod and Motor

Reassembling the Down-rod Kit

1. Slide down the coupling cover. Place the grommet and canopy onto the downrod's top and then slide them to the coupling cover as shown
2. Replace the downrod's mount, passing the lead wires and safety cable loop through it
3. Insert the removed latch back into the down-rod's upper slot
4. Slide up the downrod's mount, rotating until the latch is firmly seated inside the mount
5. Reinstall and tighten the removed Phillips-head screws onto the mounting bracket



Installation

Down-rod and Motor

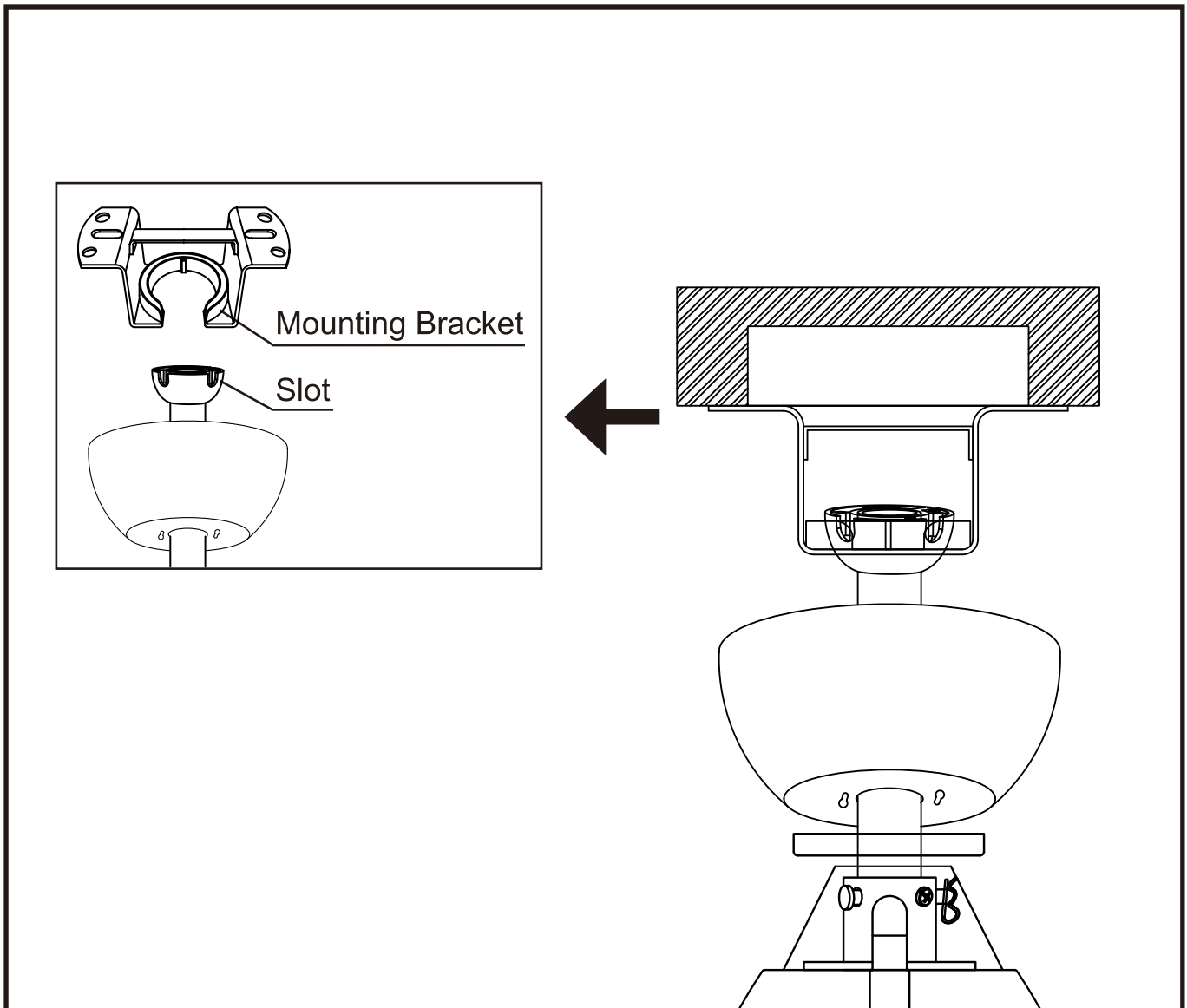
Hanging the Down-rod and Motor

1. Place the down-rod's mount onto the mounting bracket
2. Rotate the entire assembly until the tab has dropped into the mount's slot and locks itself in place

Warning

Failure to properly seat the downrod can cause the fan to fall from the ceiling during operation

DO NOT use the fan before ensuring it is properly secured and the motor assembly cannot rotate



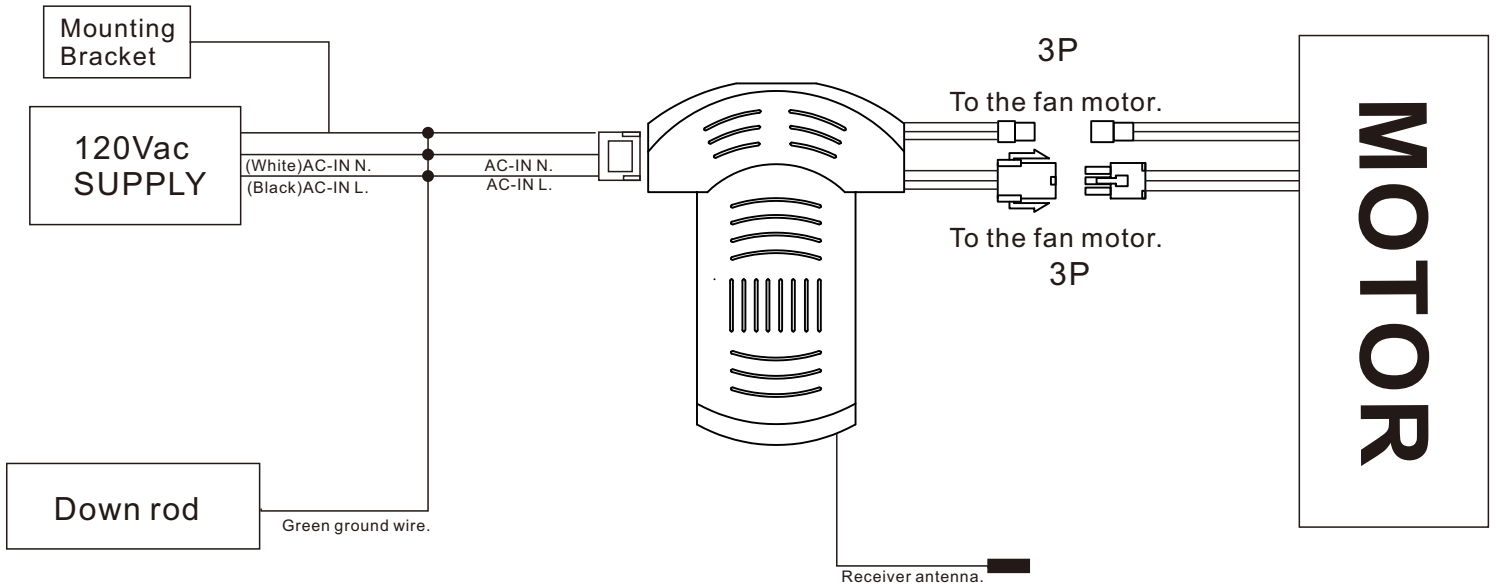
Installation

Wiring

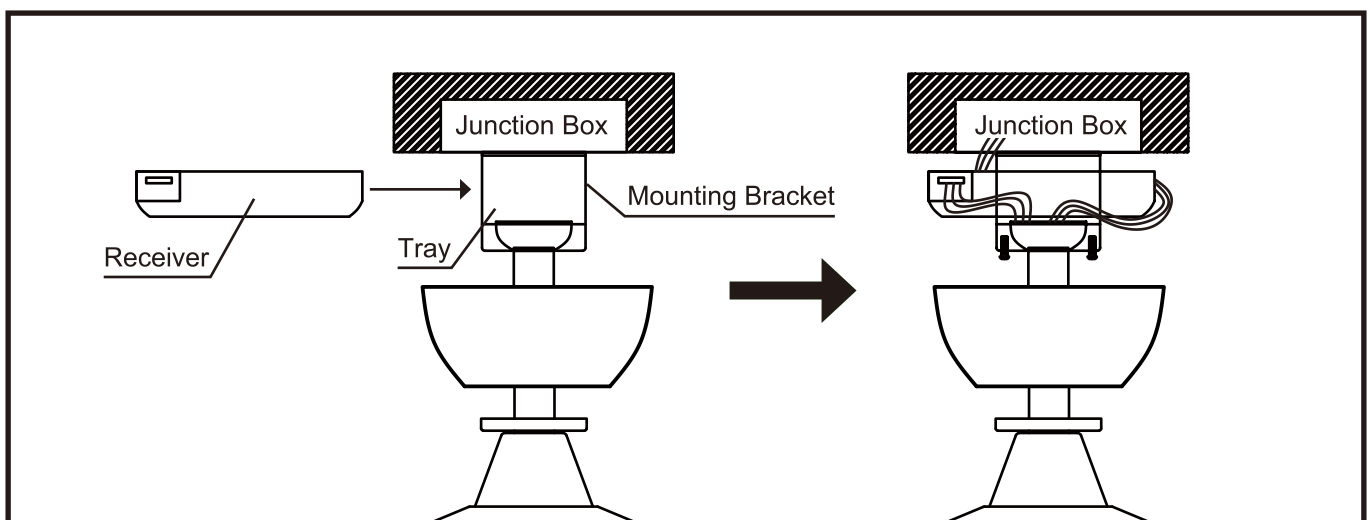
⚠ Warning

- Again, ensure that the power has been cut before working with the wiring
- If using the twist-on wire connectors, make sure they securely fasten the wires by gently tugging on each connection
- For best results, apply electrical tape to each connection
- Be sure that there are no loose wires or connections

1. Connect the fan to the remote control. The fan's 3P plug should insert into the remote control's 3P plug
2. Connect the light to the remote control. The light's 3P plug should insert into the remote control's 3P plug
3. Connect the remote control to the house's power line, then connect the remote control's white wire to the house's white wire. Connect the remote control's black wire to the house's black wire, and connect all the fans' green ground wires to the house of ground wires. Secure wires



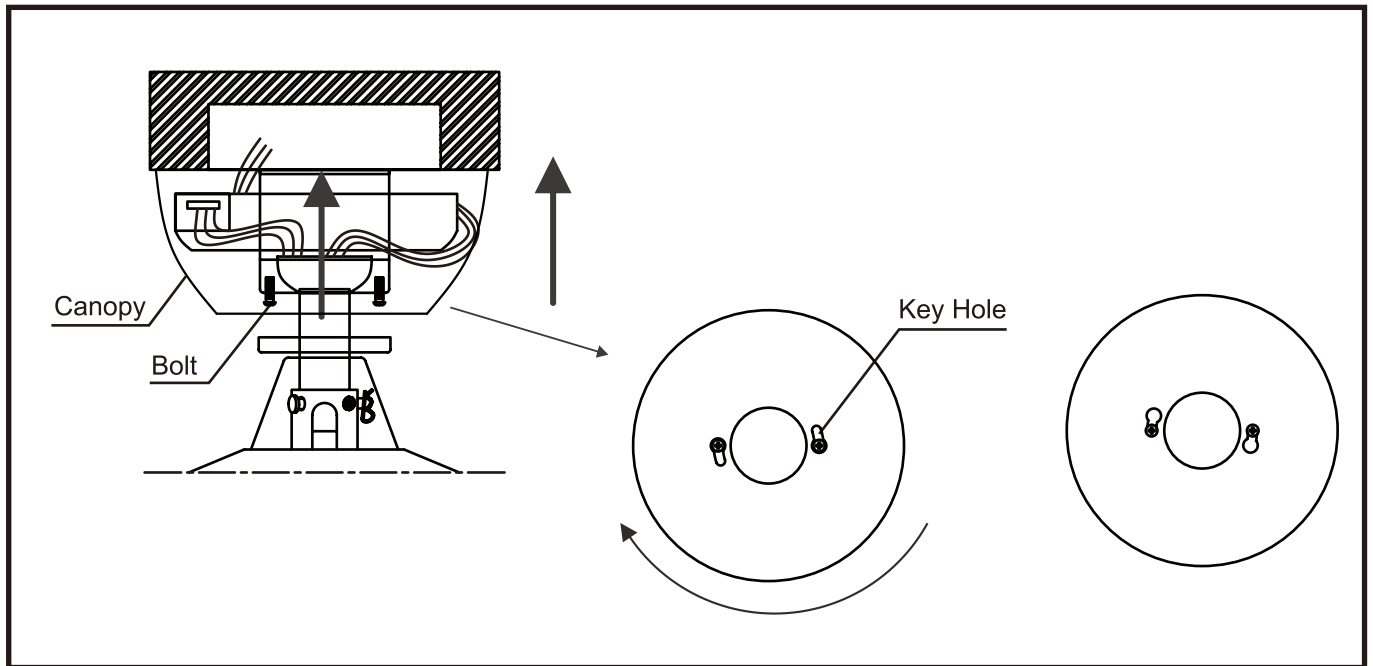
4. Insert the receiver into the tray at the top of the fan motor assembly, ensuring it faces the ceiling and its white antenna remains extended and not tangled with any of the electrical wires
5. Tuck all wire connections neatly into the junction box



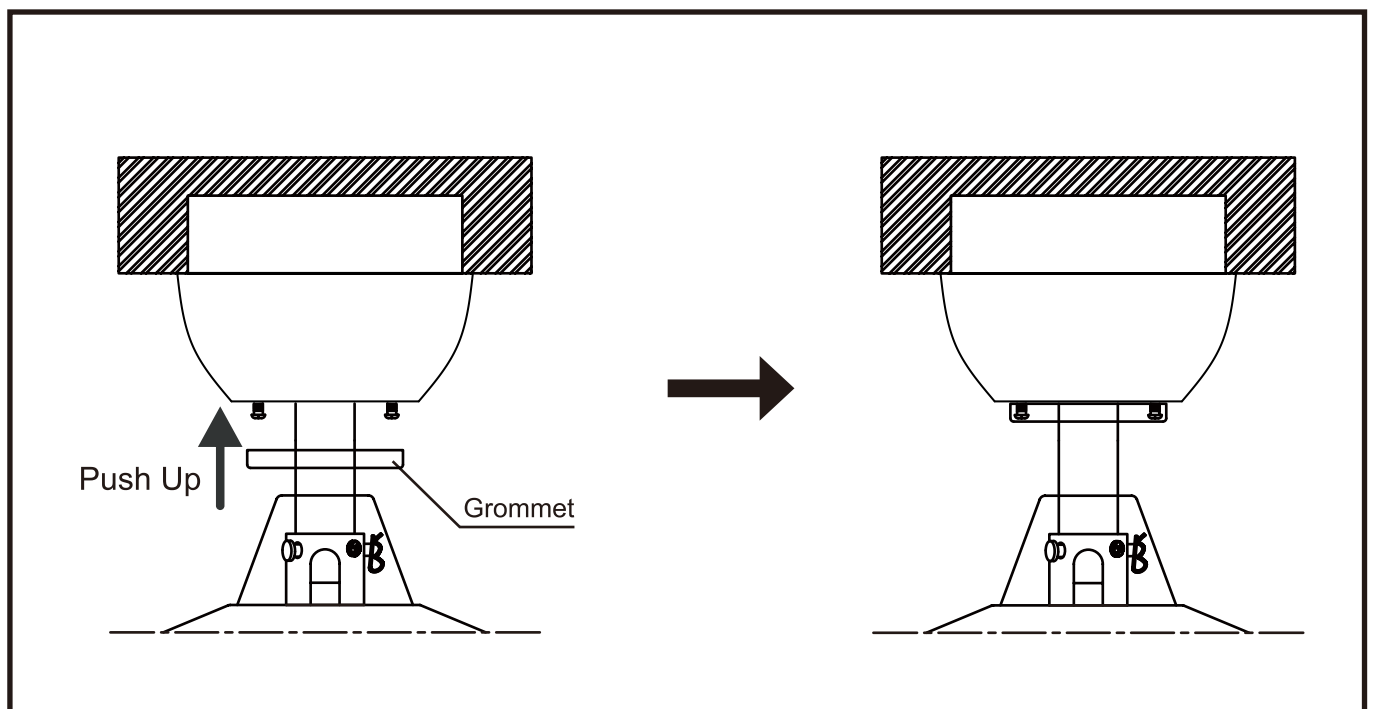
Installation

Canopy

1. Slide the canopy up to the mounting bracket
2. Place the keyholes over the bolts pre-installed on the bracket
3. Rotate the canopy until the bolts' heads lock in place at the narrow sections of the keyholes
4. Tighten these bolts as needed



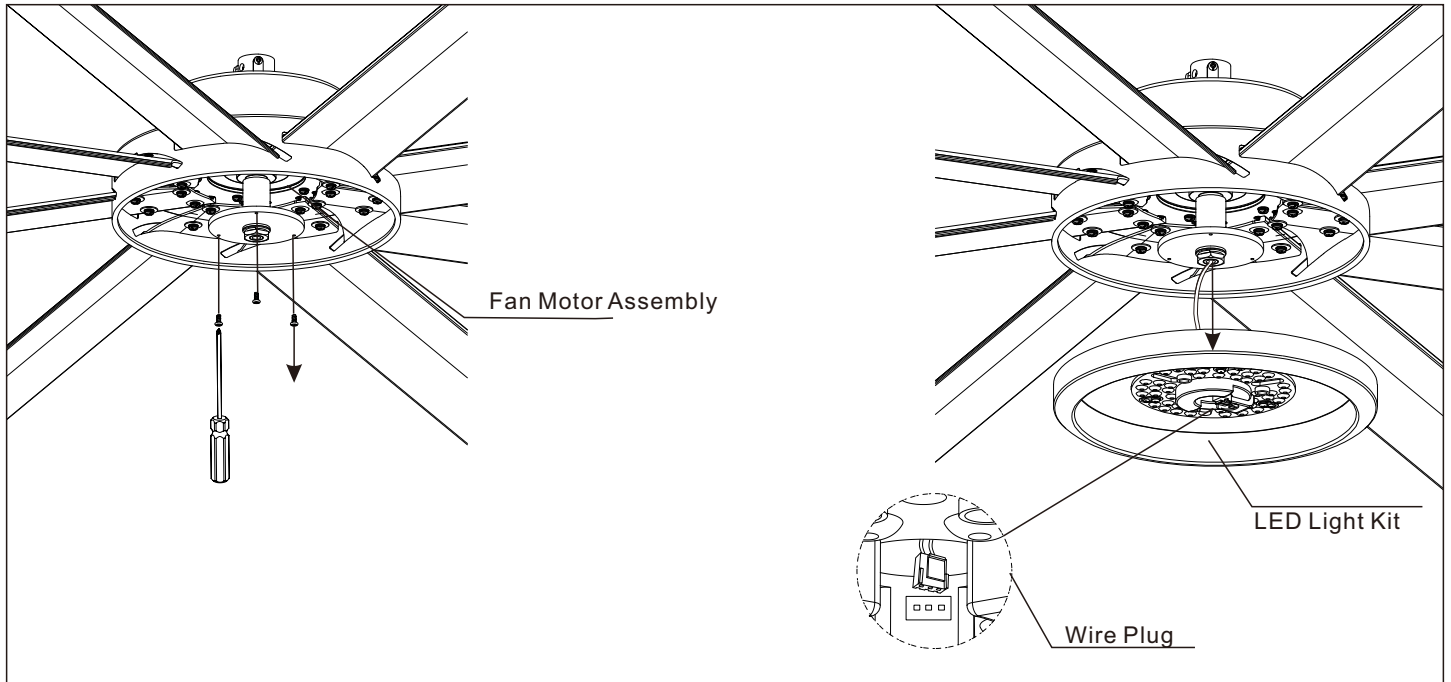
5. Attach the grommet to the bottom of the canopy using its magnets



..... Installation

Installing The Light Kit

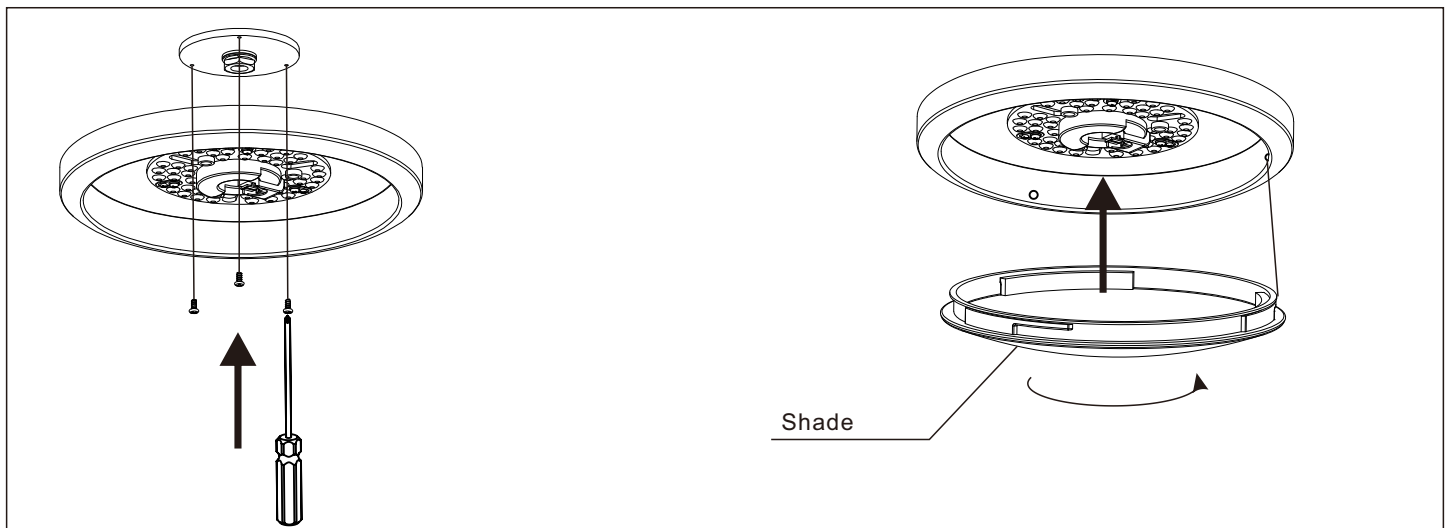
1. Remove the bolts from the bottom of the fan motor assembly
2. Feed the wire plug from the fan motor assembly through the center of the LED light kit
3. Connect the wire plug to the socket on the LED light kit



4. Place the light's mounting plate against the motor, aligning the holes
5. Reinstall and tighten the previously removed bolts to secure the LED light kit in place
6. Install the shade onto the LED light kit, rotating it until it is securely seated on the tabs of the light plate

Caution

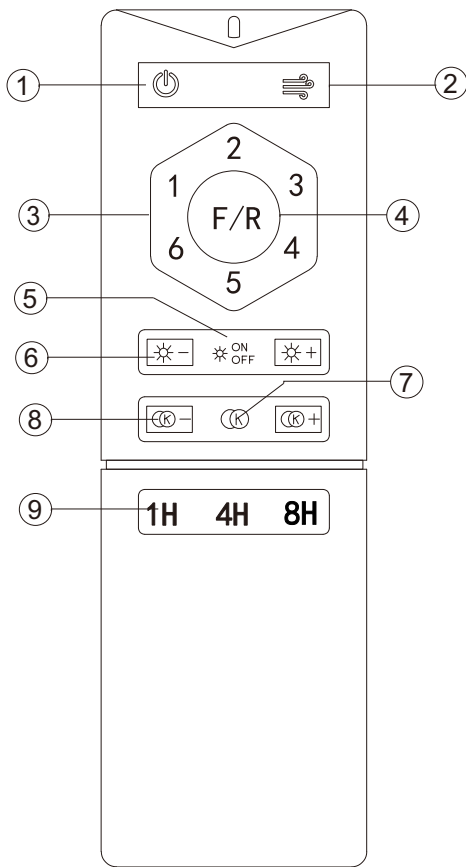
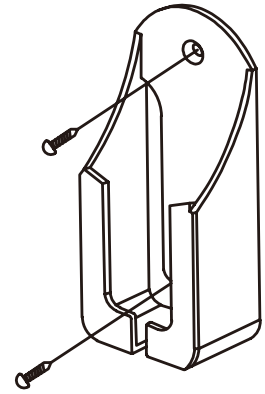
Ensure the shade is firmly connected to avoid loosening during use



..... Remote Control Operation

This remote operates within a range of 30 feet (10 m) using two 1.5V AAA batteries (not included). If the remote will not be used for a prolonged period, it is recommended to remove the batteries for better service life

If needed, install the remote control holder onto a wall or any other suitable flat surface using appropriate fasteners. For wood or other thinner and weaker surfaces, use the provided steel screws and plastic anchors. For reinforced concrete or similar surfaces, use anchor bolts for best results



- ① Fan main switch
- ② Imitate natural wind
Automatically adjust the fan rotation speed according to the preset program
- ③ Fan Speed 1-6
- ④ Switch the fan blade rotation direction (forward/reverse)
- ⑤ Turn off/Turn on the light
- ⑥ Brightness adjustment (increase or decrease)
- ⑦ color temperature adjusting
- ⑧ color temperature Brightness adjustment (increase or decrease)
- ⑨ Periodic fan shutdown button
Timing time: 1 hour, 4 hours, 8 hours

(The indicator light will flash as a warning when the battery voltage is low.) Replace the batteries

KINDLY REMINDERS:

1. When the emitter cannot control the receiver, please check the battery switch touching normally or not, correction of the positive and negative, full or empty of the power
2. When the emitter cannot control the receiver, please check is there any existence of similar remote controlled products nearby, then check whether they work, because remote-controlled product with the same frequency will disturb each other
3. Low voltage of battery will affect the sensitivity of the emitter and the signal reception accordingly (the indicated light will flash out its warning when the battery voltage is low), must replace if the battery is getting low voltage
4. Please take out the battery from the emitter when leaving unused for long time
5. Supporting 200W lighting power at maximum
 - PS: please connect the ground wire correctly, otherwise it may cause the light micro-light or flash

..... Cellphone App Operation

To achieve the best usability, please install and use the following application to easily control your fan via your mobile phone

"Smart Life" offers comprehensive intelligent control functions

Note:

The layout of the app interfaces and specific instructions may change as the apps update.

Adapt operation to the most recent app version as needed

Smart Life (Example: Ver. 5.9.1)

Important: Confirm the following issues before setup

- Your fan is completely turned off at its wall switch
- Your cellphone is connected to a 2.4 GHz Wi-Fi network
- Your cellphone's Bluetooth is already activated

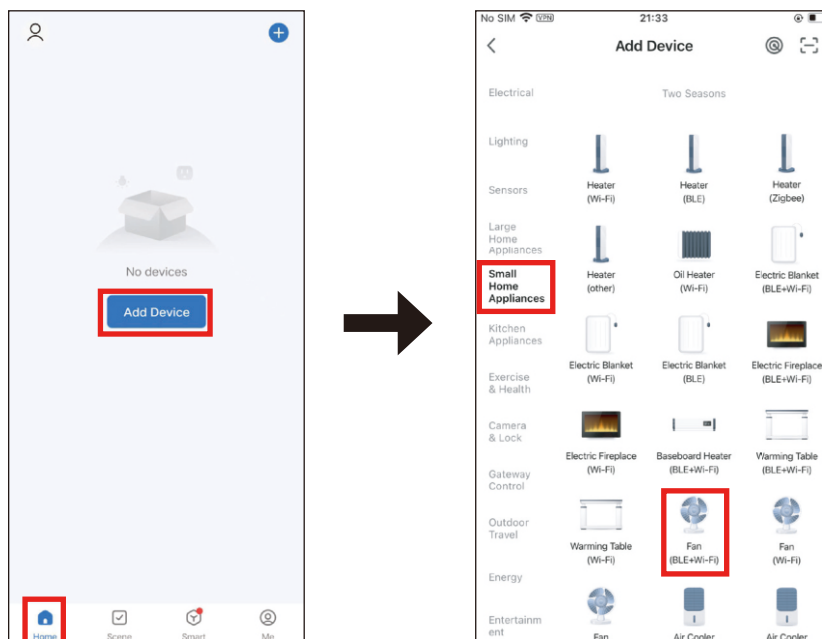
Setup

1. Go online or use this QR code to download the newest version of the **Smart Life** app onto your cellphone

Set up an account if you have not already done so

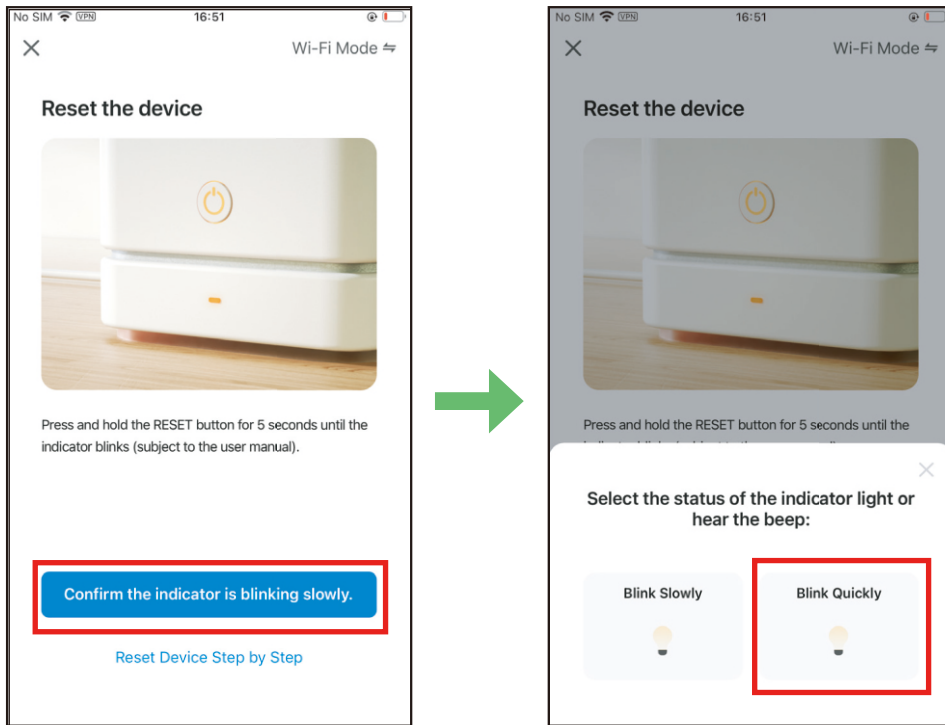


1. Open the app and access the **Home** interface and click on **Add Device**
2. In the **Small Home Appliances** submenu, select **Fan (BLE+Wi-Fi)**



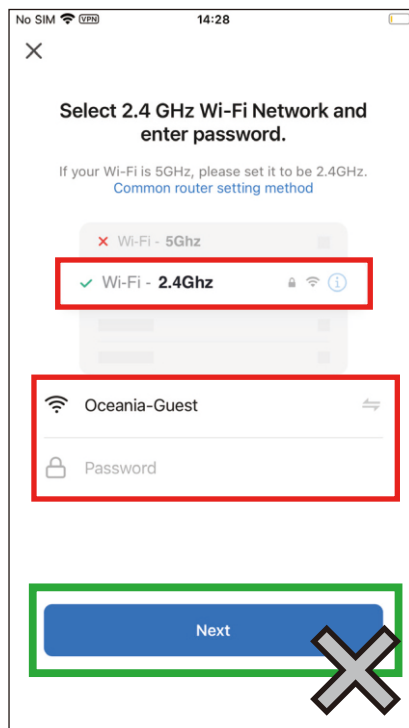
..... Cellphone App Operation

4. Ignore the instructions that appear in the **Reset the device** interface that opens
Simply select the first option, **Confirm the indicator is blinking or breathing**
In the next display, select the right option, **Blink Quickly**



5. In the network interface that opens, select **2.4Ghz Wi-Fi** and your Wi-Fi name
Enter your password if needed but **DO NOT** click **Next** yet

Note: *Wi-Fi is a registered trademark of the Wi-Fi Alliance*

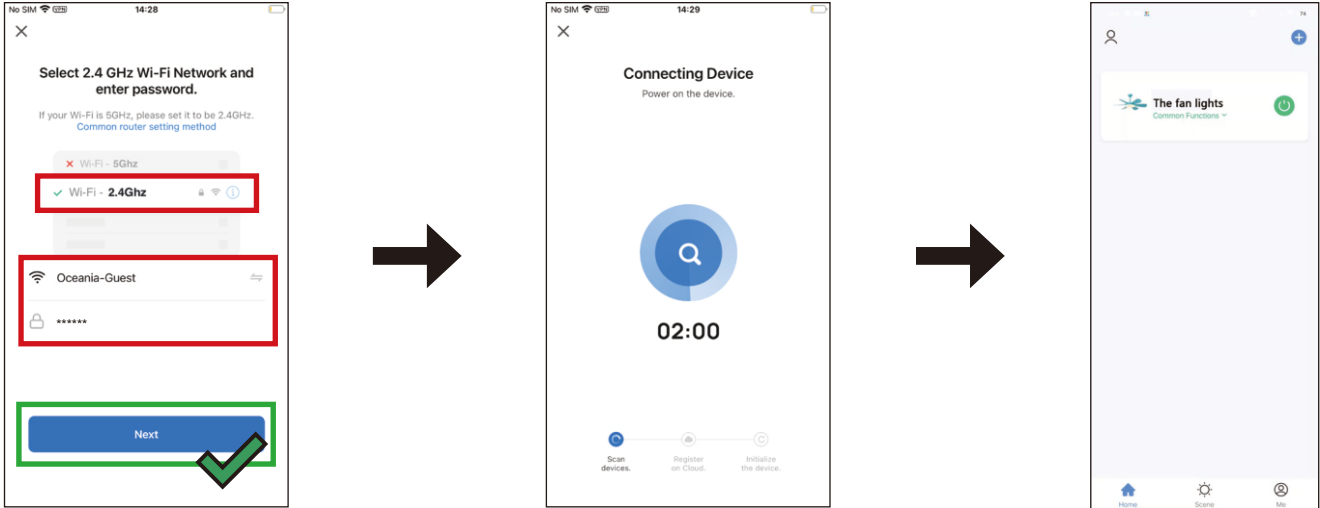


Cellphone App Operation

6. Turn on the fan at its wall switch and **IMMEDIATELY** hold **F/R** on the remote control until the fan has beeped three times

IM MEDIATELY start the connection by clicking **Next** in the app, which should open a wait screen with a two-minute countdown

If you were unable to hold **F/R** and press **Next** quickly enough, repeat the preceding steps

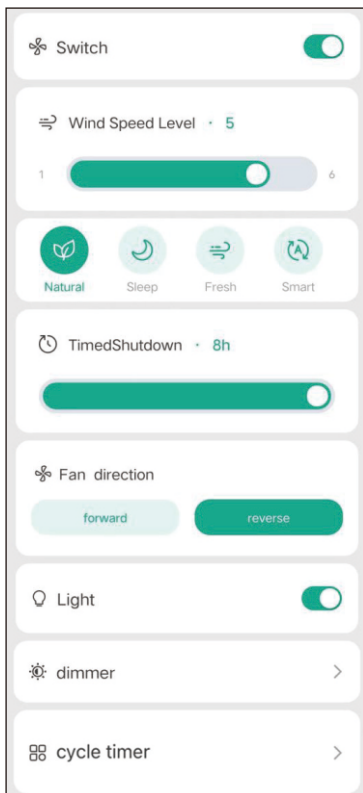


Note: If using a new Wi-Fi account, repeat steps 2–6 to reset your **Smart Life** account for your fan

Control

Click on the fan name, accessing the following control interface

Main

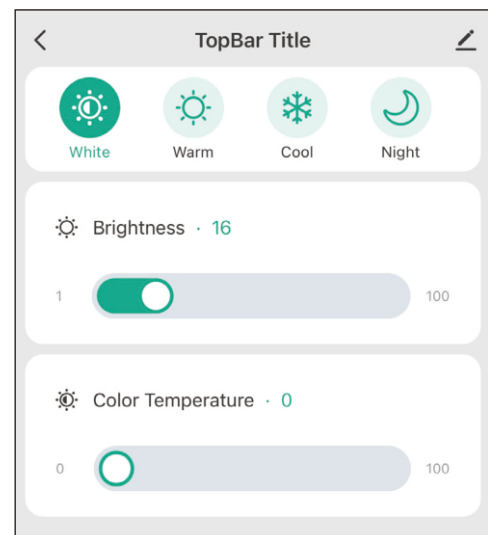
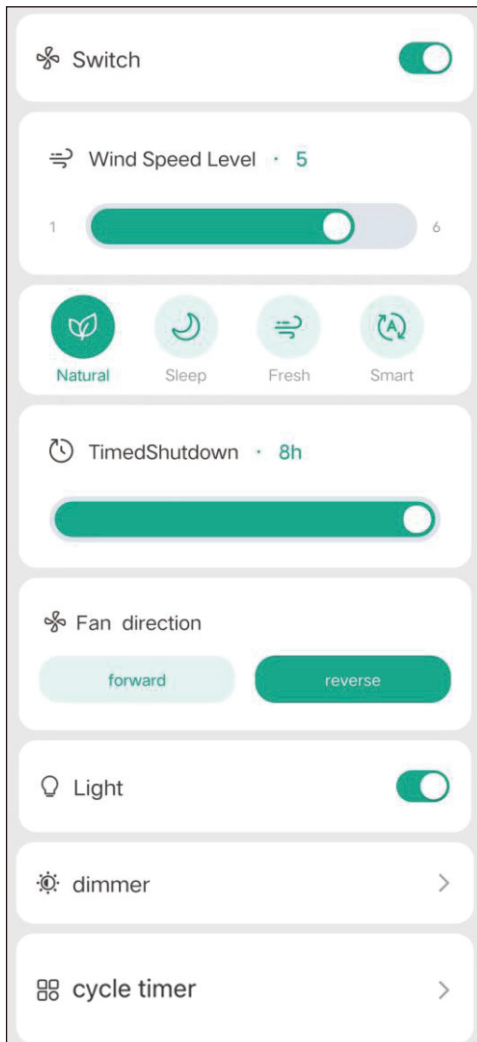


Items		Functions
Switch		Turns and fan on or off
Wind Speed Level		Starts the fan at the indicated speed level from low ("1") to high ("6")
Natural Fresh		Runs preset modes, automatically varying the fan speed
Fresh		
Sleep		Automatically slows the fan one level every 30 minutes and then keeps it at its lowest speed ("1")
Smart		Automatically varies the fan speed as the ambient temperature changes
Timed Shutdown		Runs the fan for 1–8 hours and then automatically turns it off
Fan Direction	Forward	Rotates the fan clockwise
	Reverse	Rotates the fan counterclockwise
Light		Turns the LED light on or off
Dimmer		<i>See below</i>
Cycle Timer		<i>See below</i>

Cellphone App Operation

Dimmer

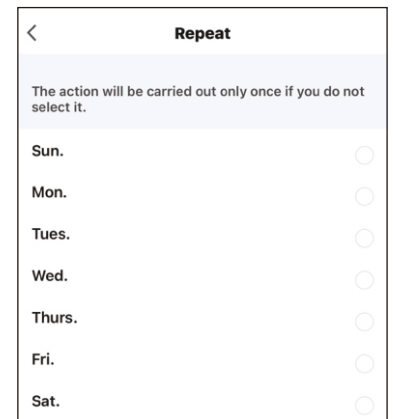
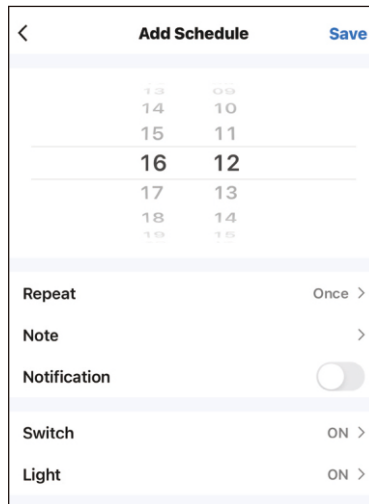
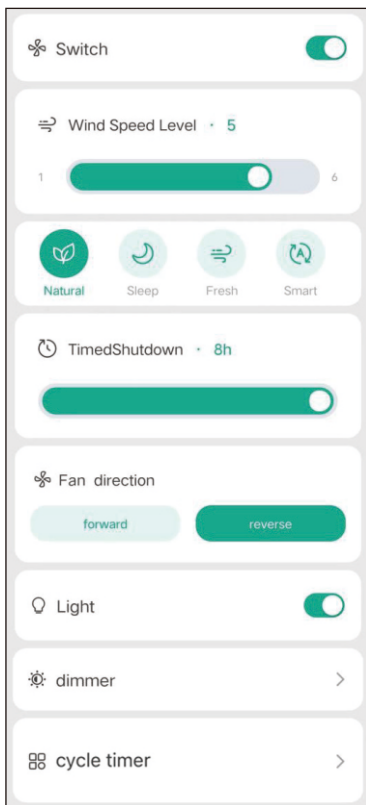
Items	Functions	
Dimmer	Warm	Activates the warmest color temperature for the LED light (3000K)
	White	Activates the medium color temperature for the LED light (4500K)
	Cool	Activates the coolest color temperature for the LED light (6500K).
	Night	Activates the lowest brightness level ("1") and warmest color temperature (3000K)
	Brightness	Changes the percent brightness of the LED light from low ("1") to high ("100")
	Color Temperature	Changes the percent color temperature of the LED light from warmest ("0" or 3000K) to coolest ("100" or 6500K)



..... Cellphone App Operation

Cycle Timer

Items	Functions	
Cycle Timer	Save	Saves your current settings
	(Numbers)	Sets the time when the fan and/or LED light will turn on automatically by scrolling up or down the hour and minute columns
	Repeat	Sets a day when the fan and/or LED light will turn on automatically each week ("Mon." etc.) or selects the next occasion for a timed activation ("Once")
	Note	Edits app notifications
	Notification	Activates or deactivates notification when the fan and/or LED light are activated
	Switch	Turns the fan timer on or off
	Light	Turns the LED light timer on or off



..... Troubleshooting

Problem	Solution
Fan will not start	1. Check circuit fuses or breakers 2. Check all electrical connections to ensure proper contact. CAUTION: Make sure the main power is OFF when checking any electrical connection
Fan sounds noisy	1. Make sure all motor housing screws are snug 2. Make sure the screws that attach the fan blade brackets to the motor are tight 3. Make sure wire nut connections are not rubbing against each other or the interior wall of the switch housing CAUTION: Make sure main power is off 4. Allow a 24-hour "breaking-in" period. Most noise associated with a new fan disappear during this time 5. If using an optional light kit, make sure the screws securing the glassware are tight. Check that the light bulb is also secure 6. Some fan motors are sensitive to signals from solid-state variable speed controls. If you have installed this type of control, choose and install another type of control 7. Make sure the upper canopy is a short distance from the ceiling. It should not touch the ceiling
Fan wobble	1. Check that all blade and blade arm screws are secure 2. Most fan wobbling problems are caused when blade levels are uneven Check this level by selecting a point on the ceiling above the tip of one of the blades. Measure this distance. Rotate the fan until the next blade is positioned for measurement. Repeat for each blade. The distance deviation should be equal within "1/8" 3. Use the enclosed Blade Balancing Kit if the blade wobble is still noticeable 4. If the blade wobble is still noticeable, interchanging two adjacent (side by side) blades can redistribute the weight and possibly result in smoother operation WARNING: TO REDUCE THE RISK OF PERSONAL INJURY, DO NOT BEND THE BLADE ARM WHILE INSTALLING, BALANCING THE BLADES, OR CLEANING THE FAN. DO NOT INSERT FOREIGN OBJECTS BETWEEN ROTATING FAN BLADES