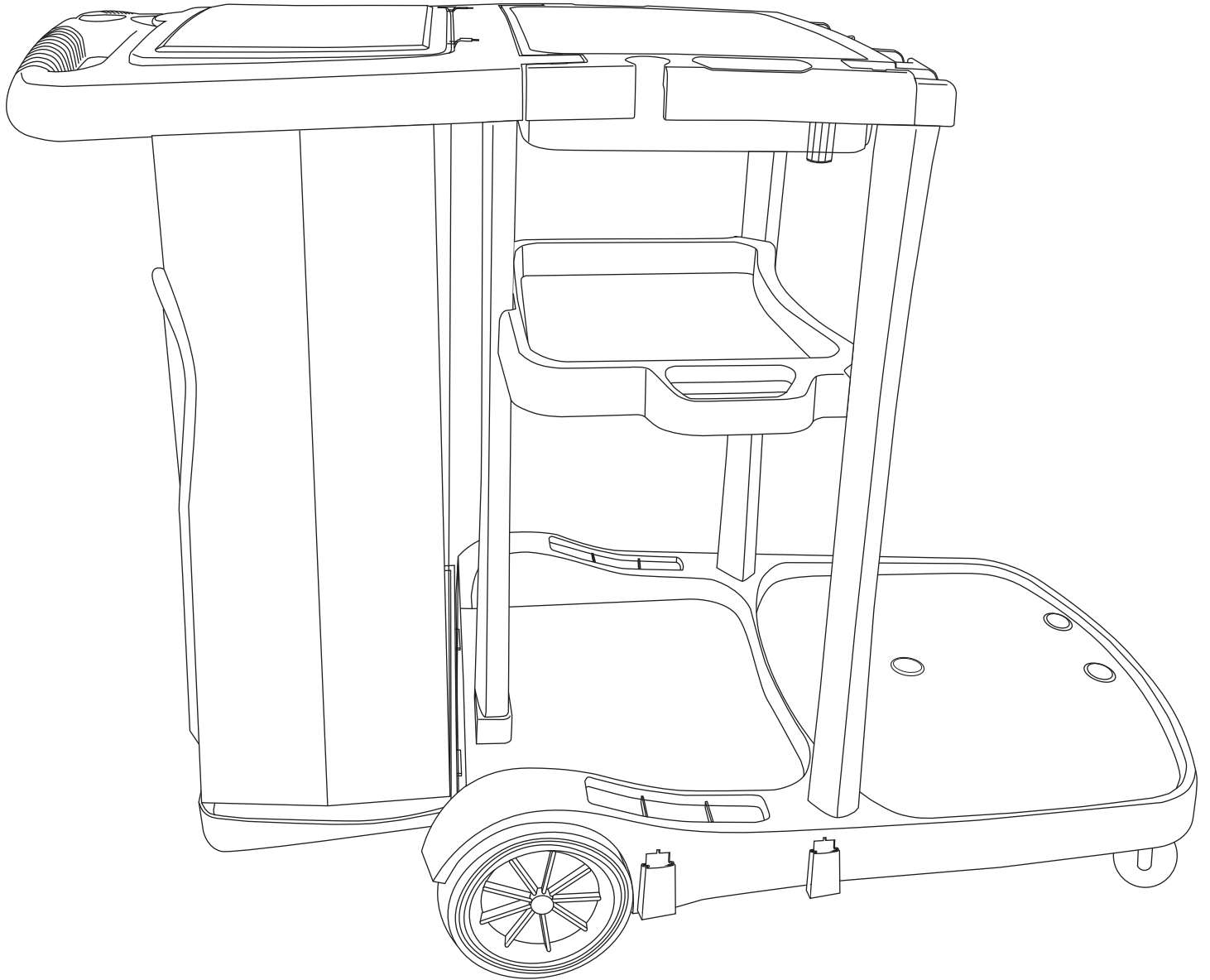


J2-1001

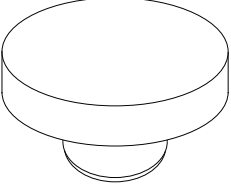
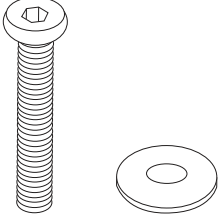



# ASSEMBLY INSTRUCTIONS

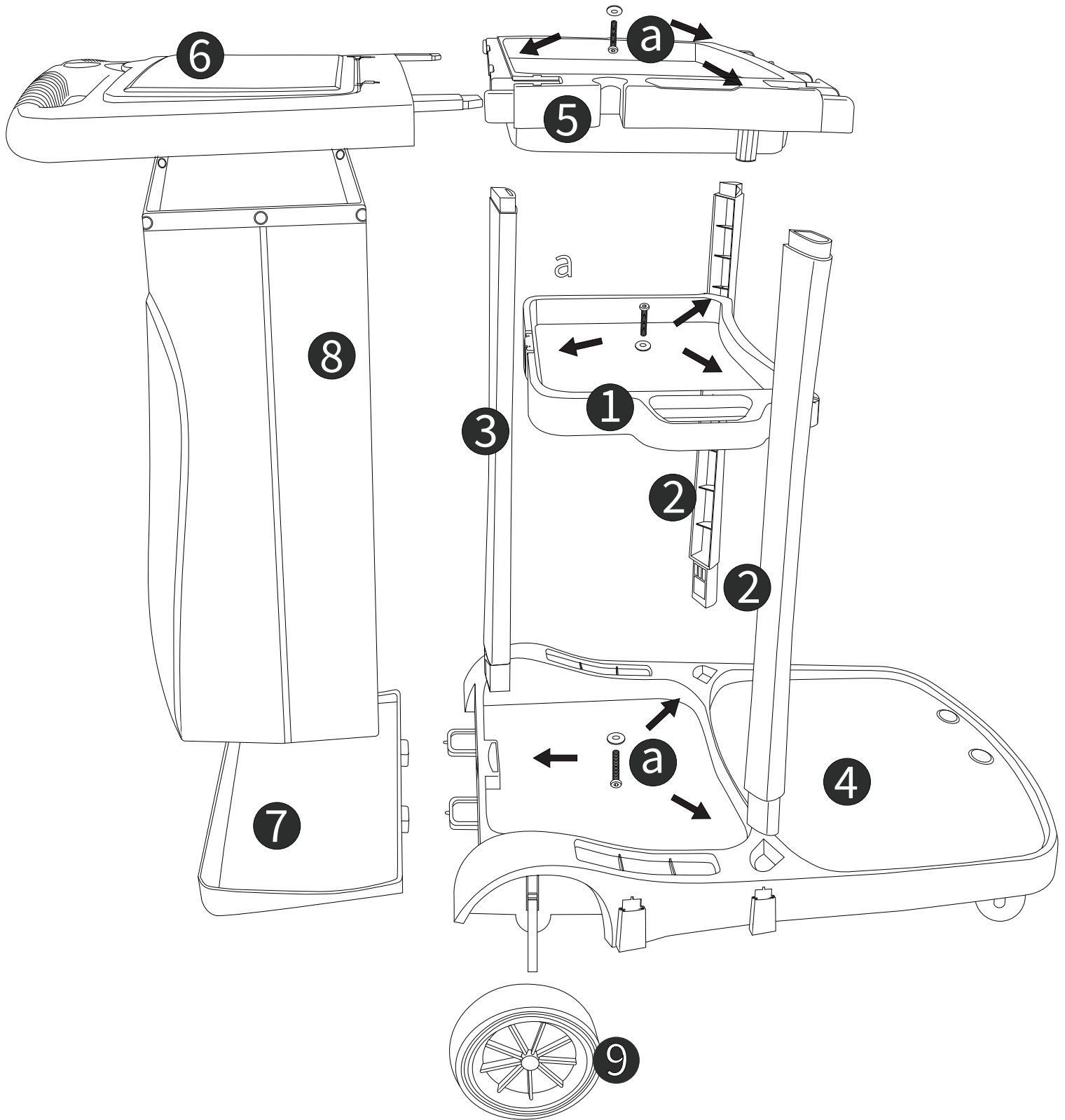
# PARTS

Item No.	Reference Image	QTY	Item No.	Reference Image	QTY
1	 Middle Tray	×1	6	 Flip Top Accessory	×1
2	 Small Support Post	×2	7	 Trash Bag Support Plate	×1
3	 Large Support Post	×1	8	 Trash Bag	×2
4	 Base	×1	9	 Caster	×2
5	 Top Tray	×1	10	 Glove	×2

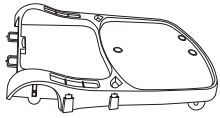
# PARTS

Item No.	Reference Image	QTY
<b>11</b>	 Rubber Plug	×3
<b>a</b>	 Screws & Washers	×12+1
<b>b</b>	 Allen Wrench	×1

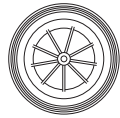
# EXPLODED VIEW



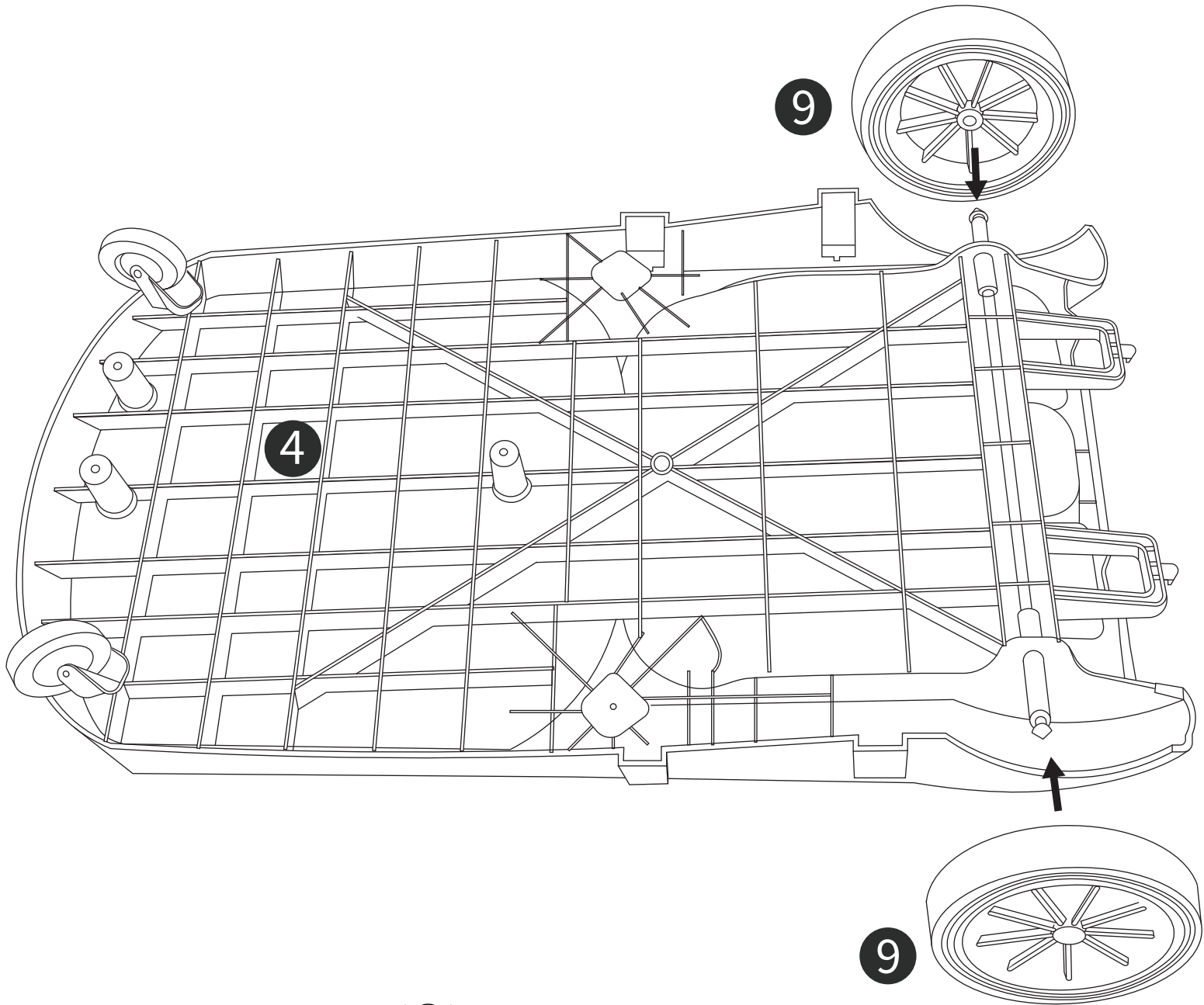
# 1



④ × 1

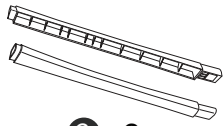


⑨ × 2

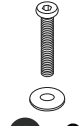


Install the casters (⑨) onto the bottom of the base (④).

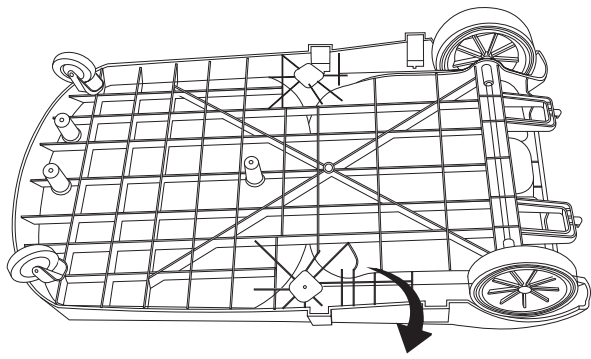
# 2



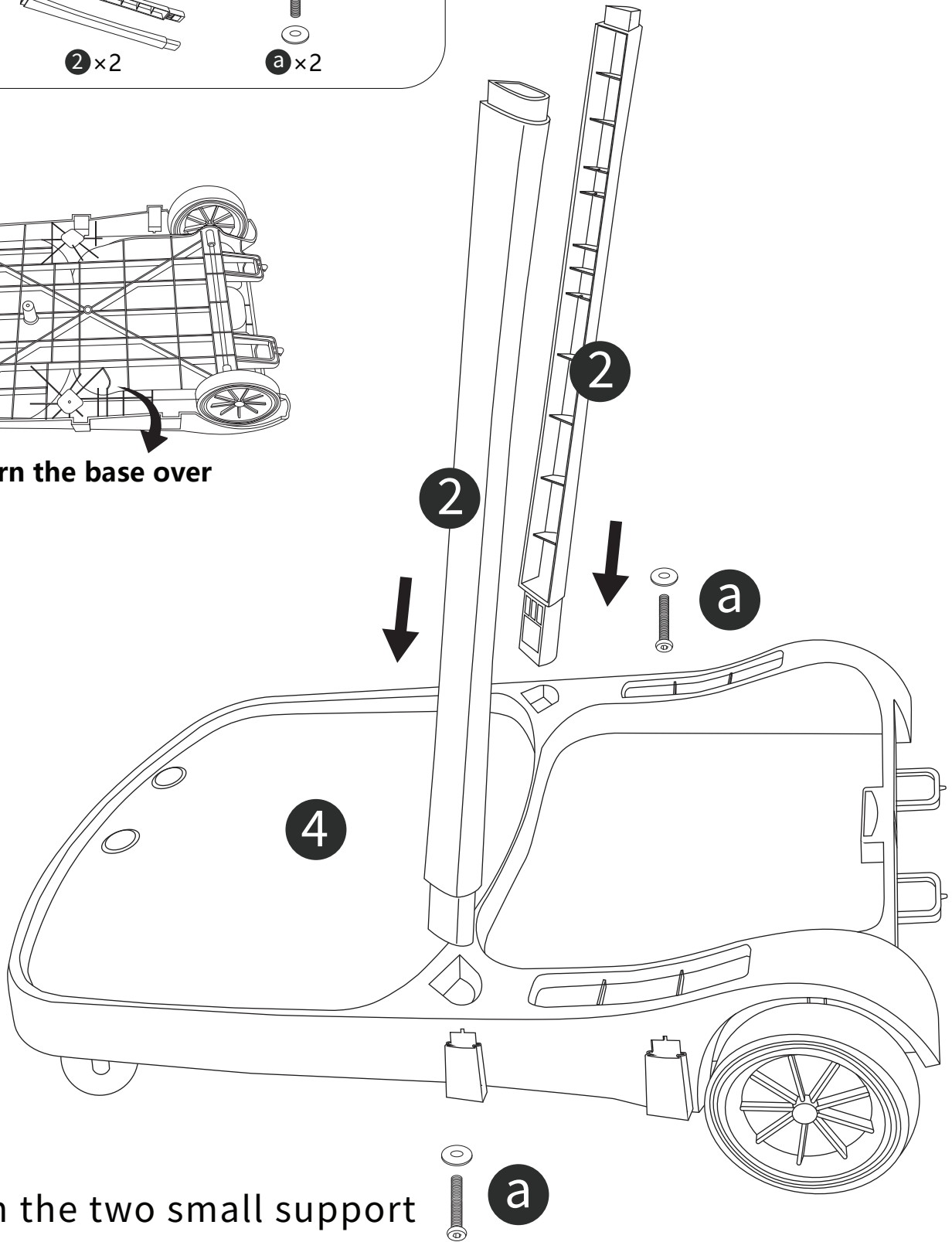
② x 2



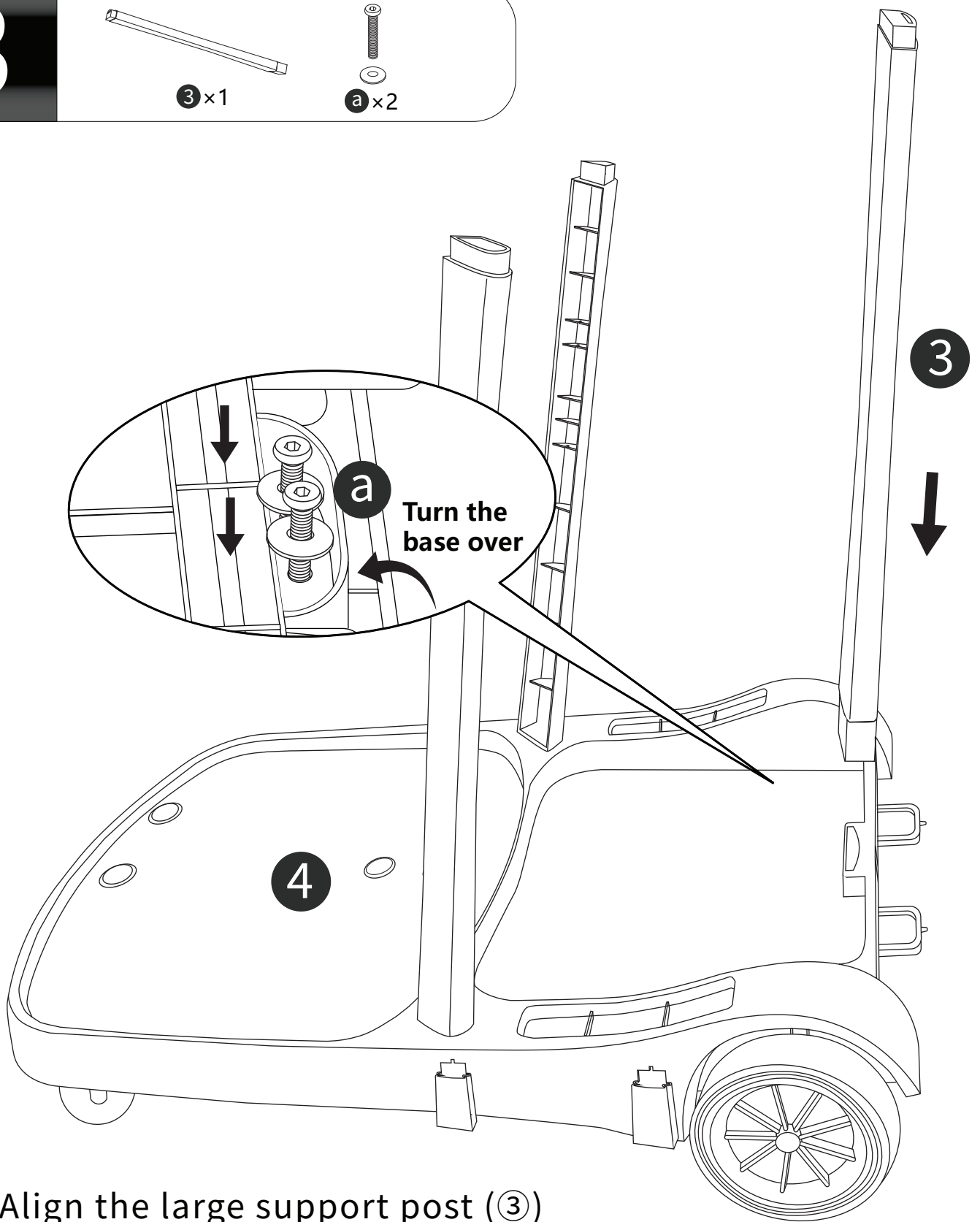
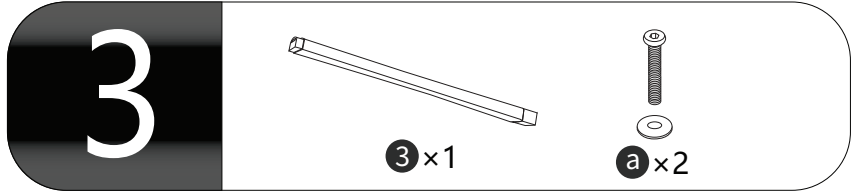
a x 2



Turn the base over

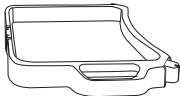


Position the two small support posts (②) on the base (④) and secure them at the bottom using screws and washers (a).



Align the large support post (③) with its mounting point on the base (④) and fasten it tightly with screws and washers (a)

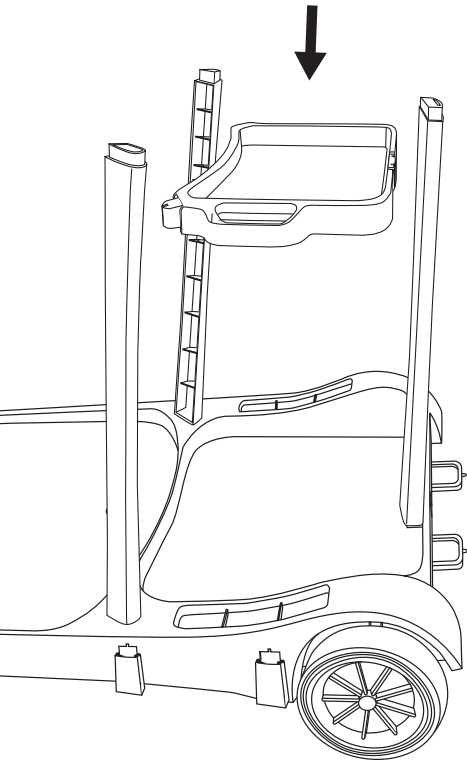
# 4



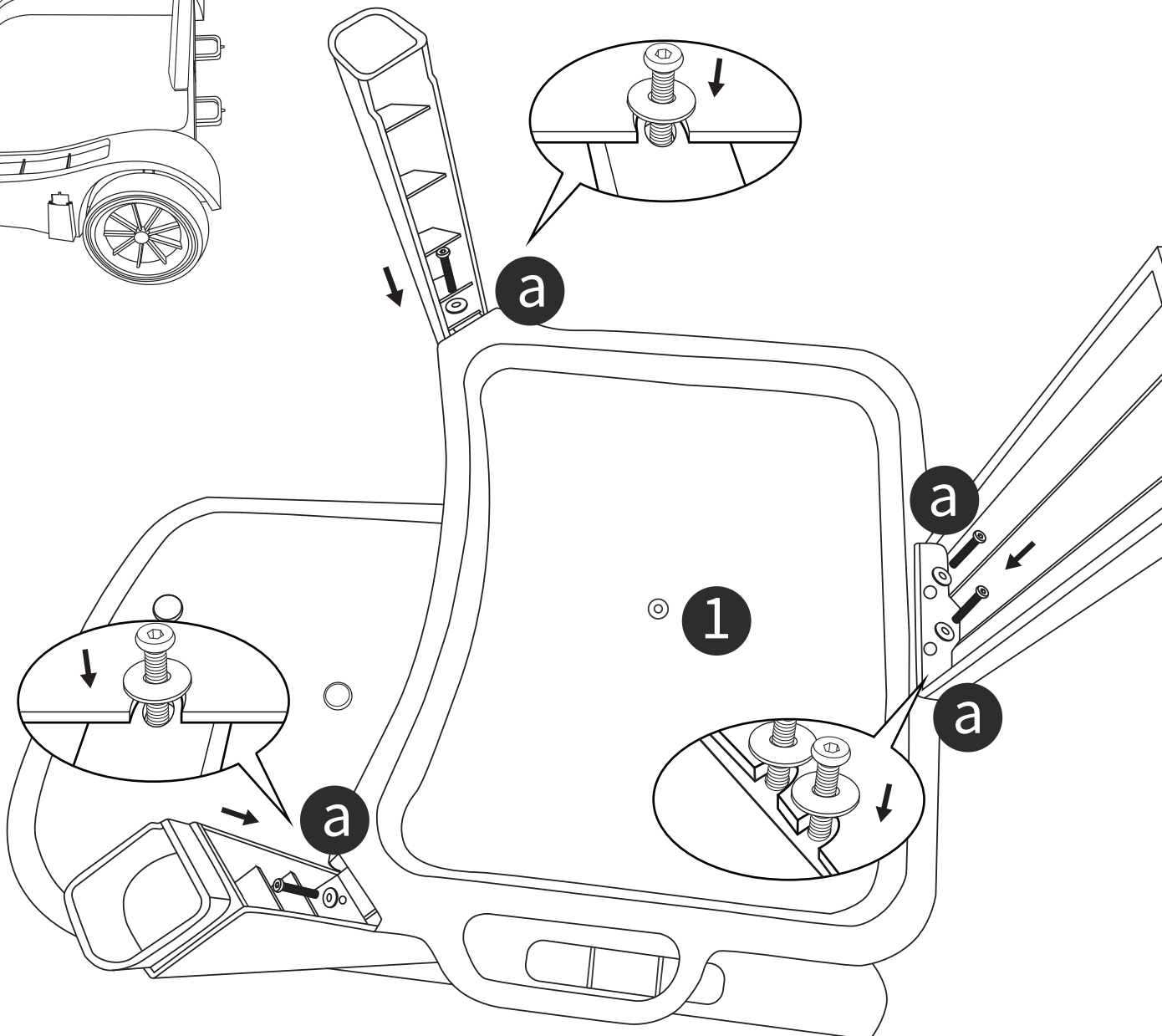
① x1



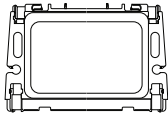
a x4



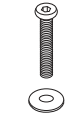
Set the middle tray (①) into place and tighten the screws (a) around all four sides to hold it securely.



5

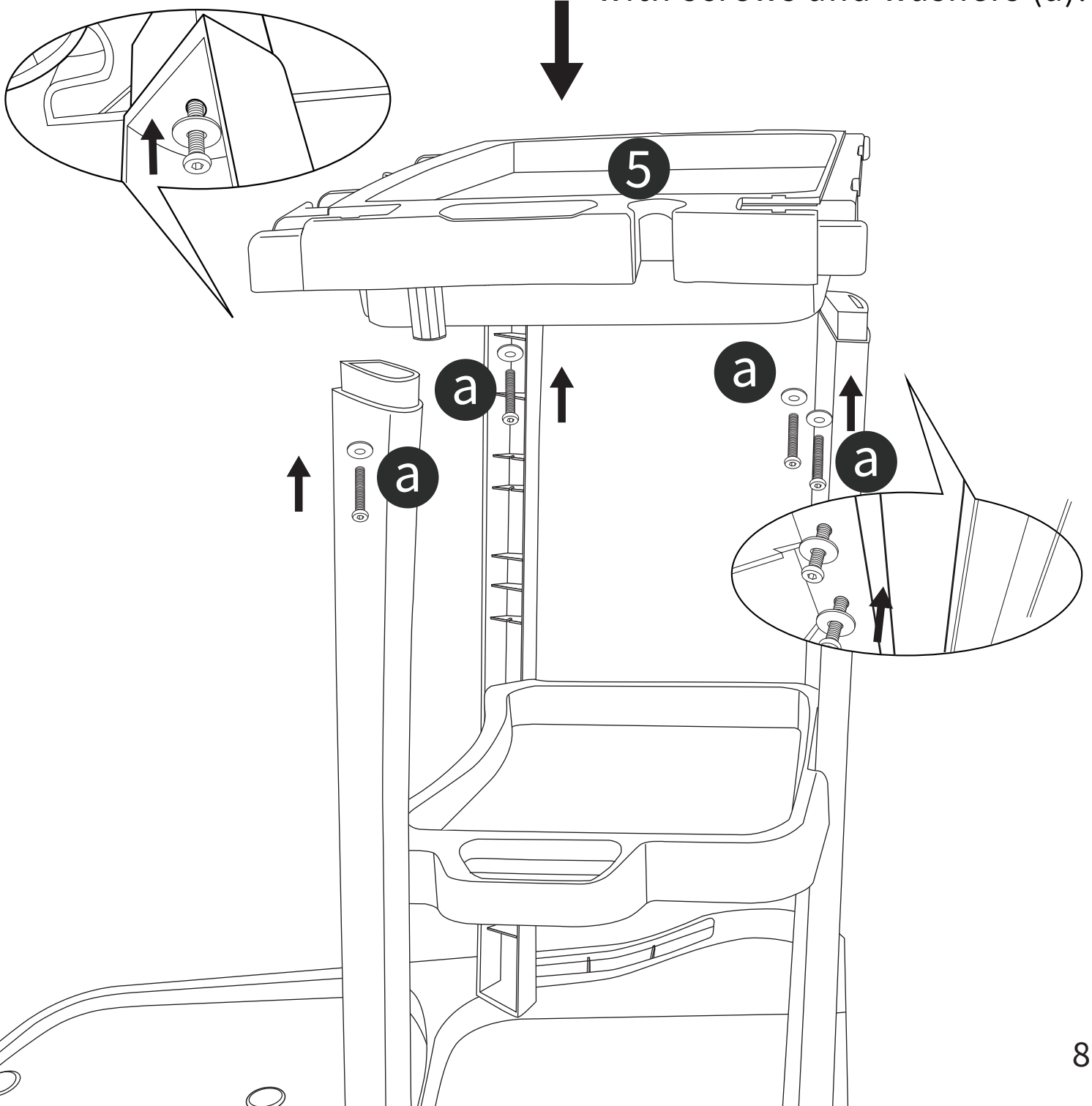


5 x 1

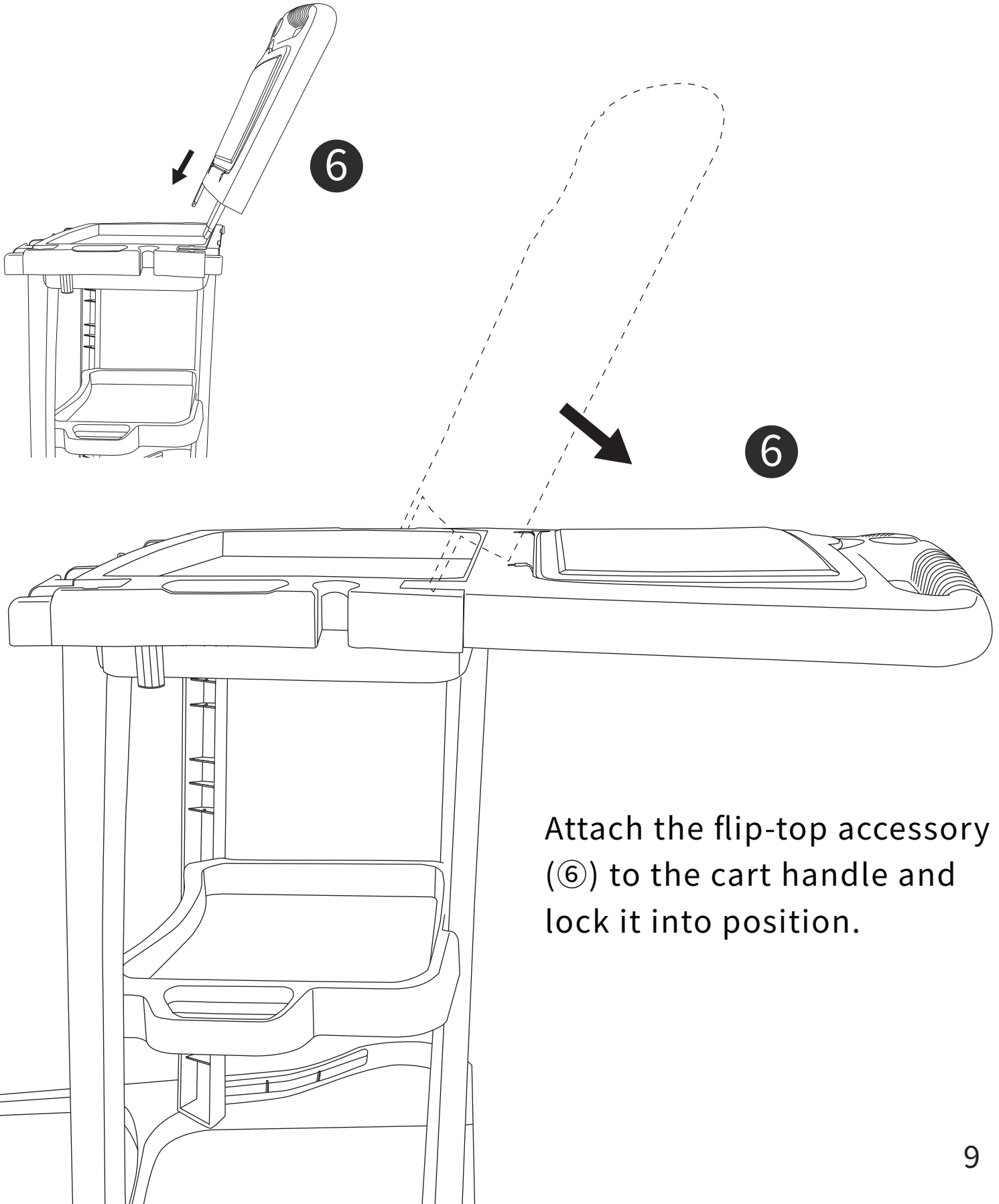
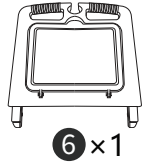


a x 4

Mount the top tray (5) onto the tops of all three support posts and fasten it tightly with screws and washers (a).



6



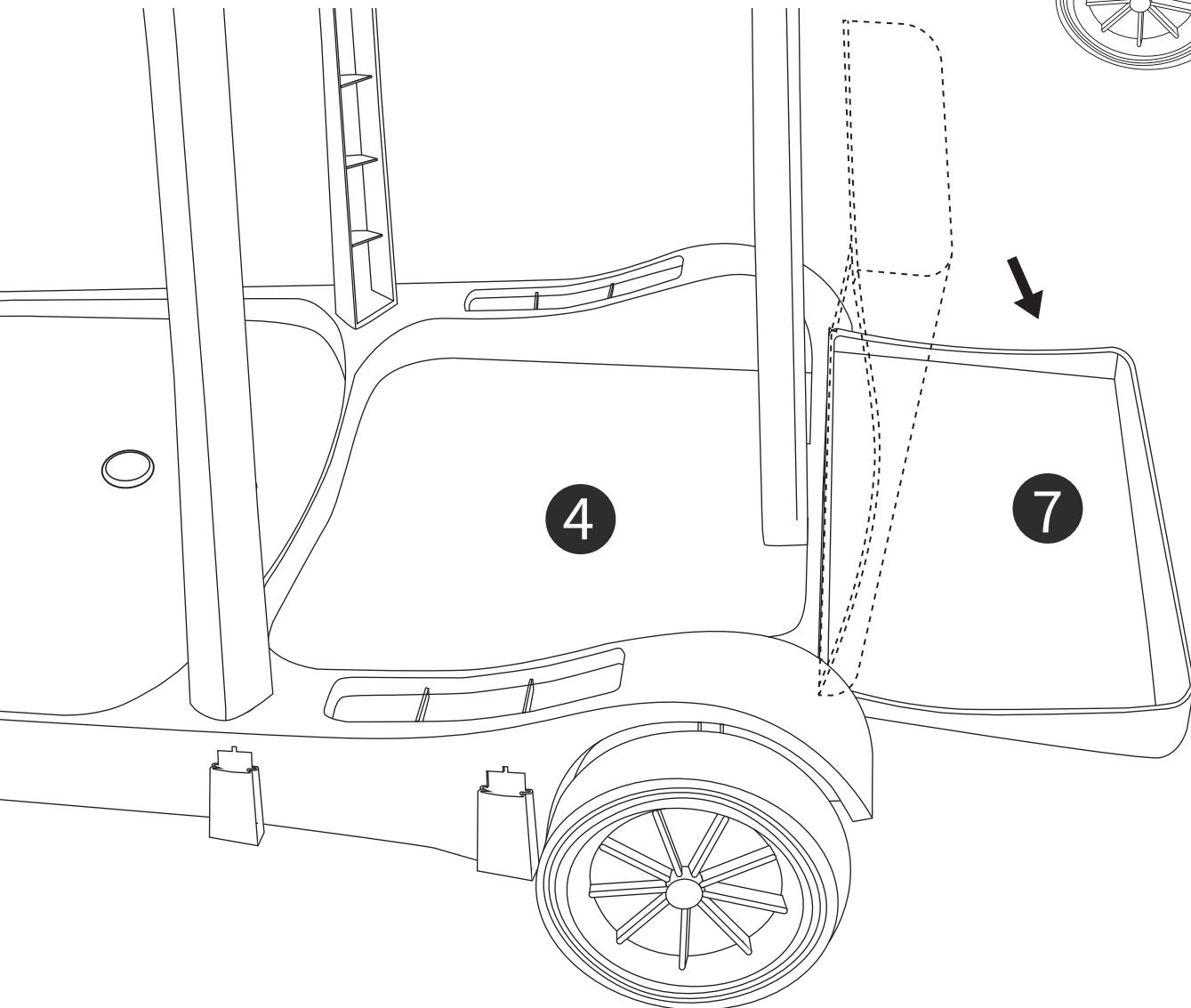
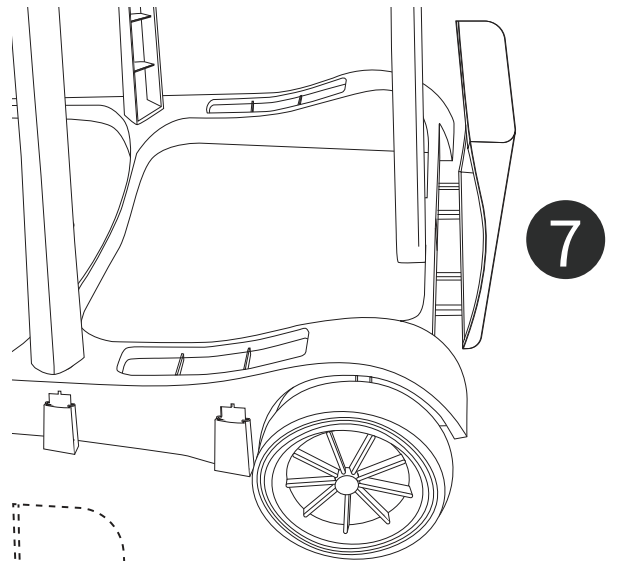
Attach the flip-top accessory (6) to the cart handle and lock it into position.

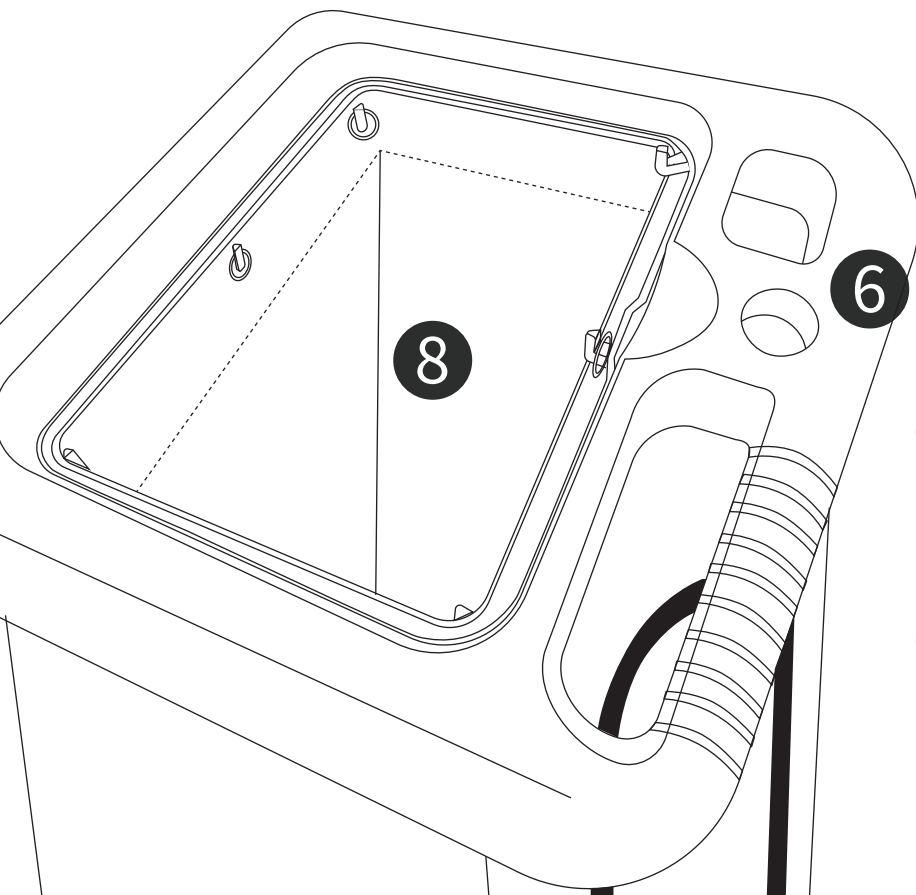
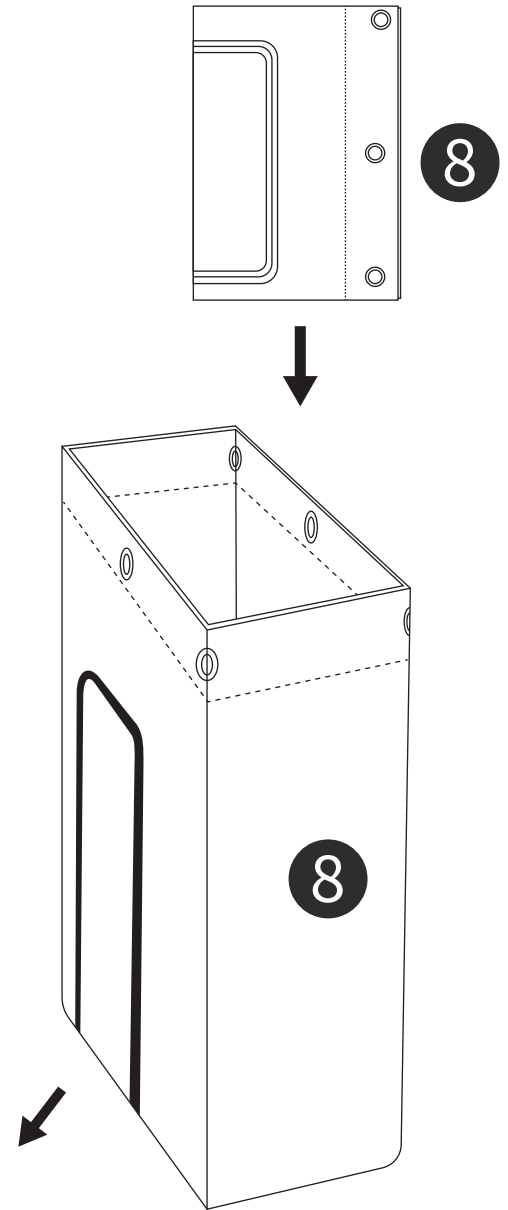
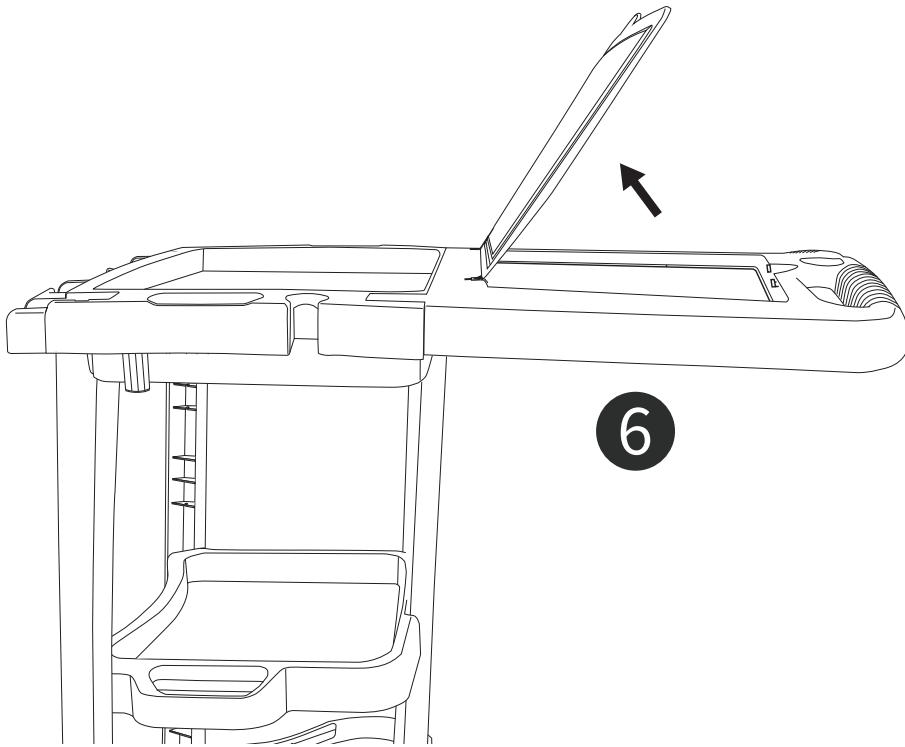
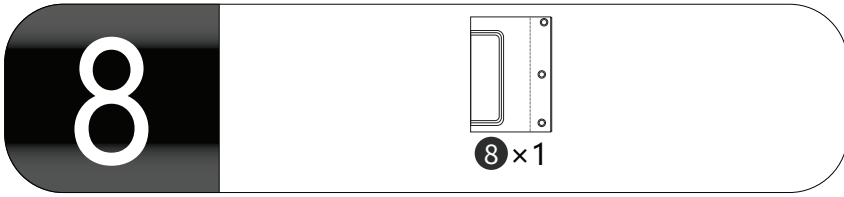
# 7



7 x 1

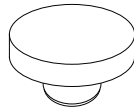
Place the trash bag support plate (7) onto the base (4) and press it down until fully seated.



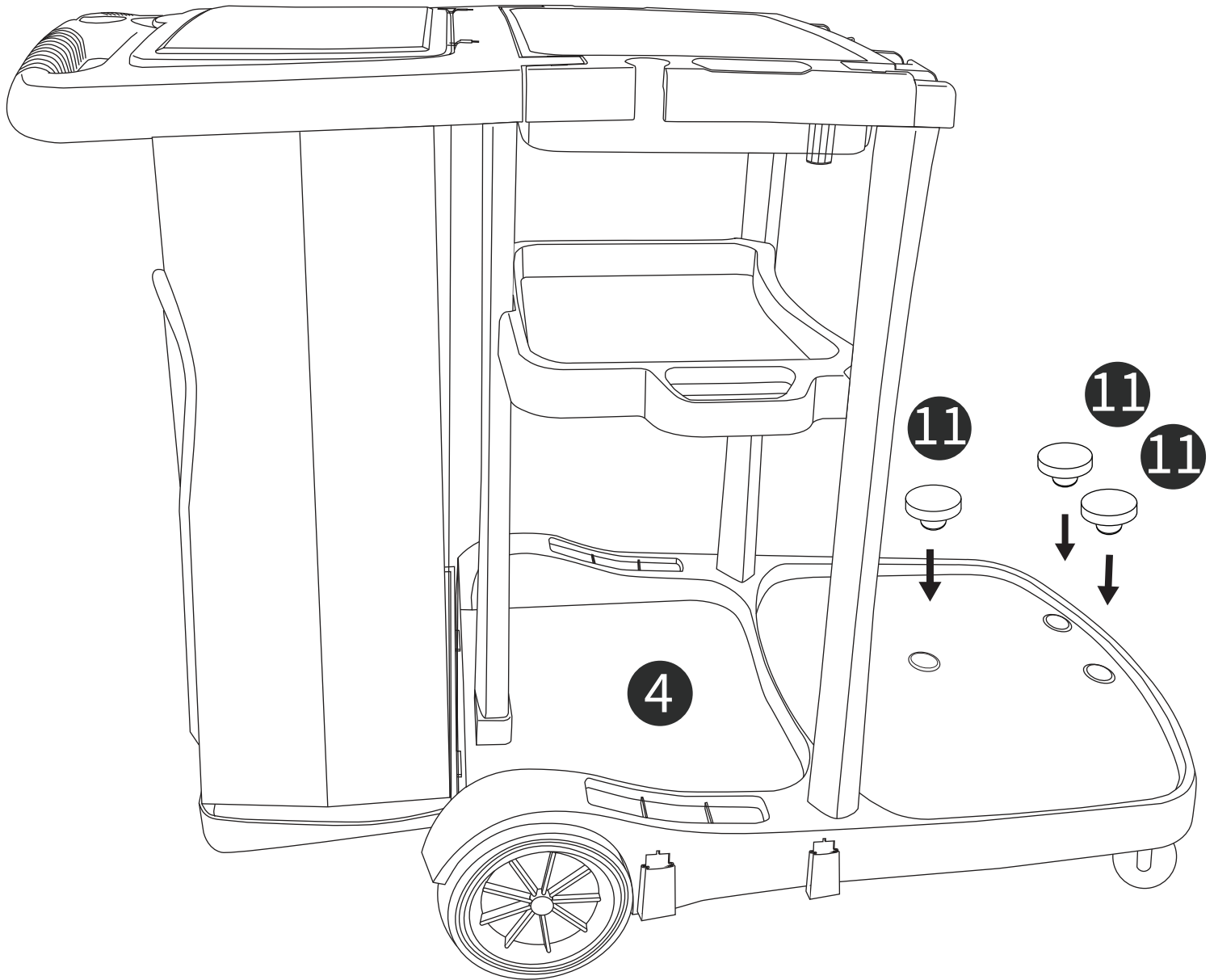


Lift the flip top (⑥), spread the trash bag (⑧) (with the opening facing left), and hang the trash bag (⑧) on the hooks of the cart frame.

9



11 x 3



Insert the rubber plugs (11)  
into the corresponding holes  
on the base (4)