

NORTHSKY

STANDARD PLATFORM TRUCK

M1-1141

M1-1140

Description

Northsky standard platform trucks are highly maneuverable in aisles and tight spots. They are designed for use in shipping and receiving rooms, warehouses, stock rooms, shops, laboratories, stores, etc. Each unit consists of one platform (with handle and caster-mounting hardware), two swivel casters, and two rigid casters.

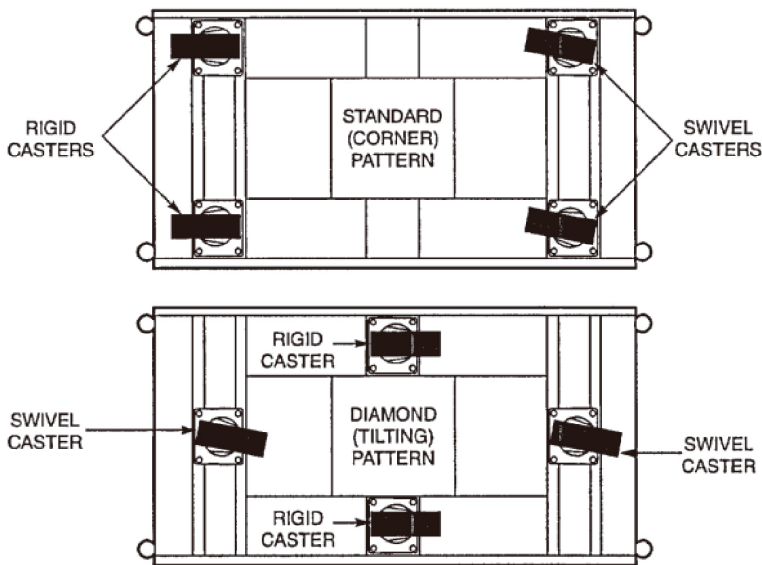


Figure 1-Caster Mounting Patterns

Specifications

Platform Model	Components		Load* Capacity	Deck size		Specifications		Axle Bearings
	Casters Swivel	Casters Rigid		W	L	Caster Wheels Size	Caster Wheels Type	
M1-1141	2 PCS	2 PCS	1600 LBS.	24"	48"	6"	Polypropylene (hard tread)	Sleeve
M1-1140	2 PCS	2 PCS	2500 LBS.	30"	60"	8"	Polyolefin (hard tread)	Roller

*Generally accepted, recommended maximum weight to be carried on a truck used for manual operation, on a relatively smooth surface (such as concrete with normal minor obstacles)

Assembly

STANDARD (CORNER PATTERN)

1. Using four bolts, four nuts, and four washers per caster, secure caster to platform deck.
2. Slip handle into either end of the truck. Truck will steer more easily with the handle on the end with the swivel casters.

DIAMOND (TILTING) PATTERN

1. When securing the rigid casters to the deck, place one or more washers between the caster plate and the deck for each of the four bolts. **Increasing the number of washers between the caster plate and deck will increase the amount of the tilt.** Install the swivel casters using four bolts, nuts, and washers.
2. Slip handle into either end of the truck.

NOTE: Diamond-tilt pattern is recommended where a shorter turning radius is required. Truck will turn in its own radius.

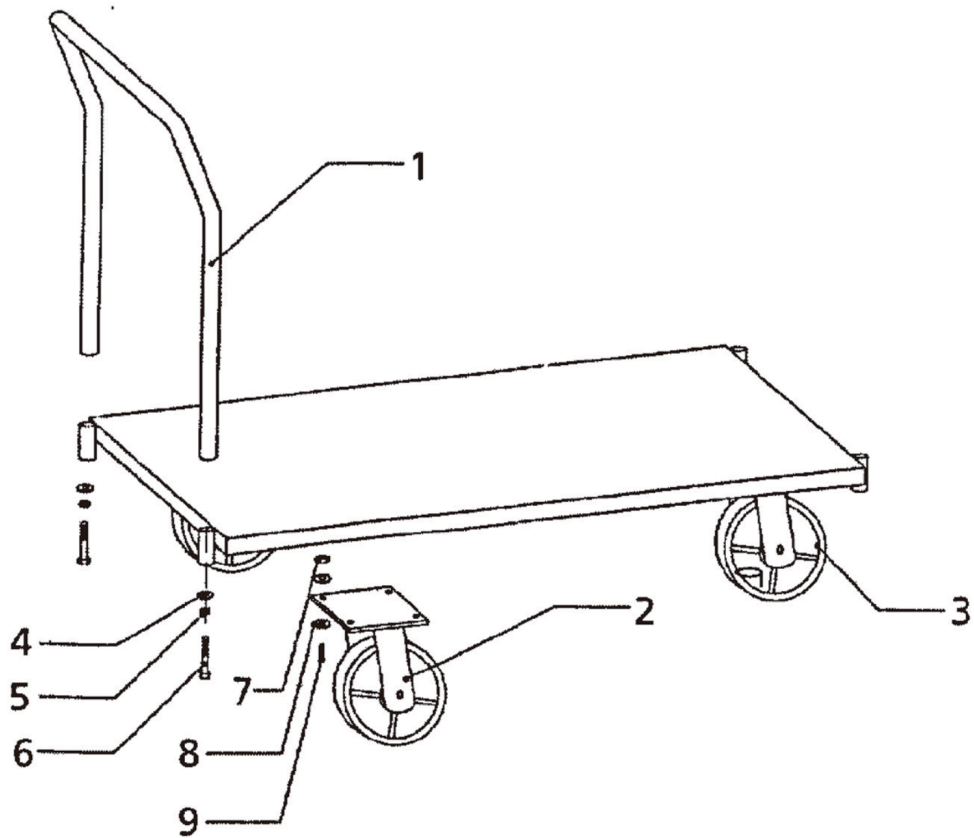


Figure 2-Repair Parts Illustration

Repair Parts List

Ref. No.	Description	Qty.
1	Handle	1
2	Swivel Caster	1
3	Rigid Caster	1
4	Flat Washer	2
5	Split Washer	2
6	Bolt	2
7	Lock Nut	4
8	Washer	4
9	Bolt	4
▲	Handle Hardware Kit	1
■	Caster Hardware Kit	1