

# NORTHSKY

## TOWABLE PLATFORM TRUCK

### M1-1130

#### Description

This industrial platform truck is highly maneuverable in aisles and tight spots. It is designed for use in shipping and receiving rooms, warehouses, stock rooms, shops, laboratories, stores, etc. Two swivel and two rigid rubber roller bearing wheels. Removable pipe handle at swivel caster end.



Figure 1 Platform Truck

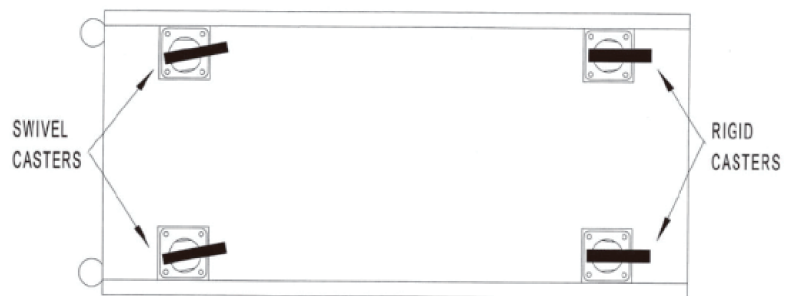


Figure 2 Mounting Pattern for Platform Truck Casters

Model	Load* Capacity	Deck Size L x W (in.)	Caster Size (in.)	Wheel Type
M1-1130	2000 LBS.	60 x 30	8"	Mold-on Rubber

(\* ) Generally accepted recommended maximum weight (evenly distributed) to be carried on a truck used for manual operation on a relatively smooth surface (such as concrete with normal minor obstacles)

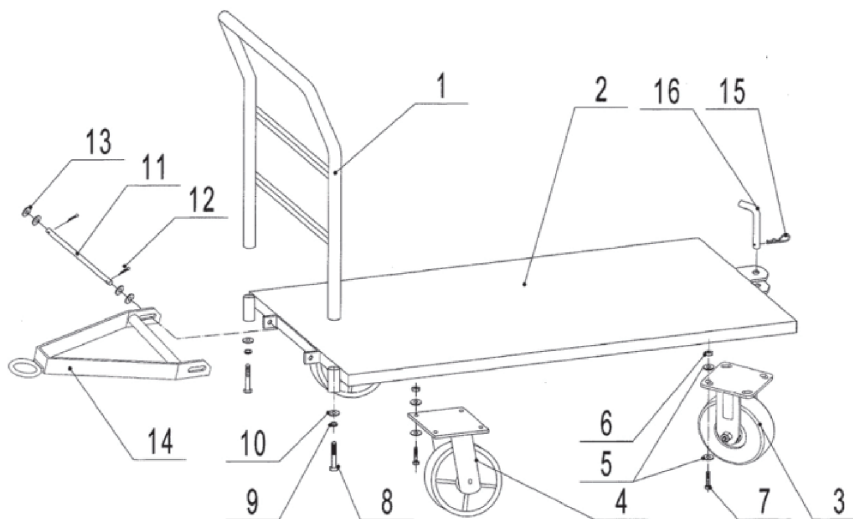


Figure 3 Parts Illustration for M1-1130

**Parts List**

Ref. No.	Description	Part Number for Models	Qty.
1	Handle		1
2	Steel Platform		1
3	Rigid Caster		2
4	Swivel Caster		2
5	Flat Washer, 10		32
6	Lock Nut, M10		16
7	Bolt, M10 x 25		16
8	Bolt, M12 x 45		2
9	Split Washer, 12		2
10	Flat Washer, 12		2
11	Shaft, 12		1
12	Split Pin		2
13	Washer, 12		4
14	Steer Bar		1
15	Split Pin		1
16	Drag Bar		1
▲	Caster Hardware Kit		4
■	Handle Hardware Kit		1
◇	Steer Bar Kit		1
▽	Drag Bar Kit		1

**Models M1-1130**

**Assembly**

- Tools needed: hammer and adjustable wrench.
1. Remove contents from carton.
  2. Using four bolts, four nuts, and four washers per caster, secure caster to platform deck.
  3. Attach lock nuts and tighten securely.
  4. Insert the handle into the pipe handle pockets and tighten the bolts of handle securely.

**Maintenance**

Check tightness of bolts and nuts every 6 months.  
 Lubricate casters using multipurpose heavy-duty lithium grease for platform trucks.  
 To replace caster, remove nuts on underside of deck.  
 Remove old caster, replace with new one, retighten nuts.

**Troubleshooting Chart**

Symptom	Possible Cause(s)	Corrective Action
Hard to push or grinding noise	Dirt or Debris	Check and remove any dirt, debris or objects that may be stuck in casters.
Hard to push or grinding noise	Worn or Damaged Caster	Replace Caster