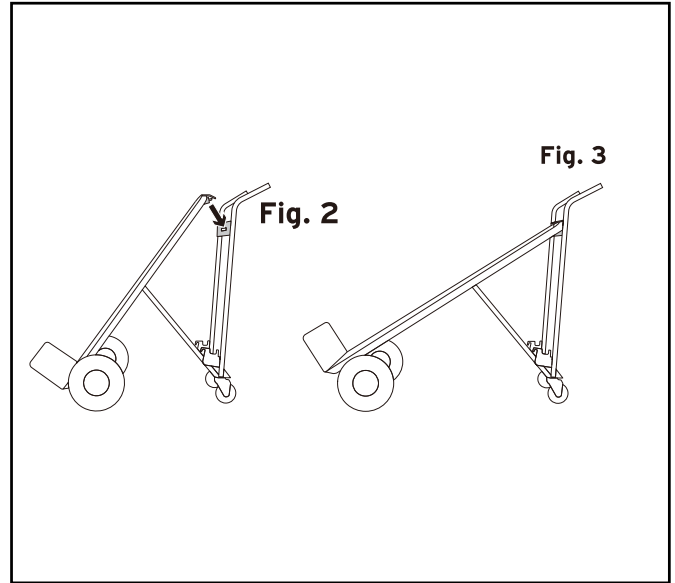
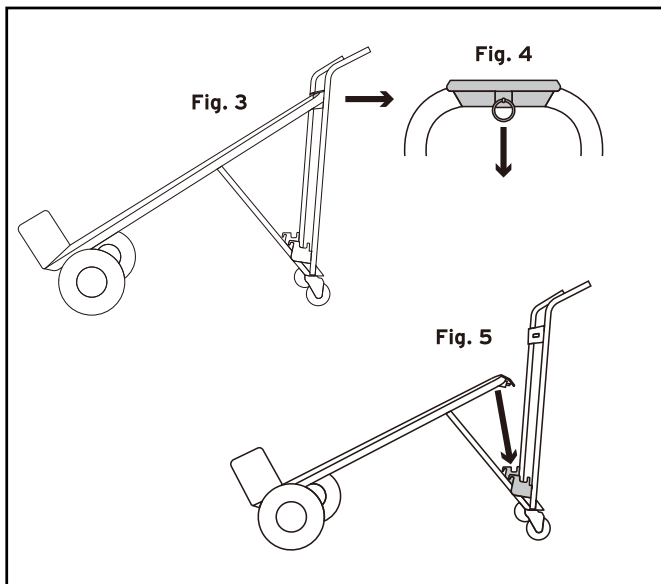


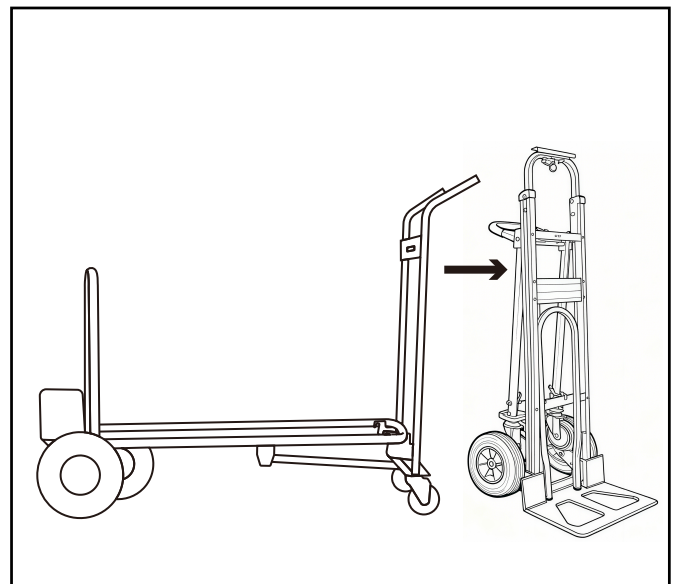
❶ Press the lock as shown in Figure 1



❷ Slant the front part of the hand truck, place the latch in the hole of the bar (Fig. 2) and secure the mechanism to the hand truck in the assisted position (Fig. 3)



❸ From the assisted hand truck position (Fig. 3), pull the ring (Fig. 4) and place the front of the hand truck on its bases (Fig. 5)



❹ Reverse the steps to return to the original position